

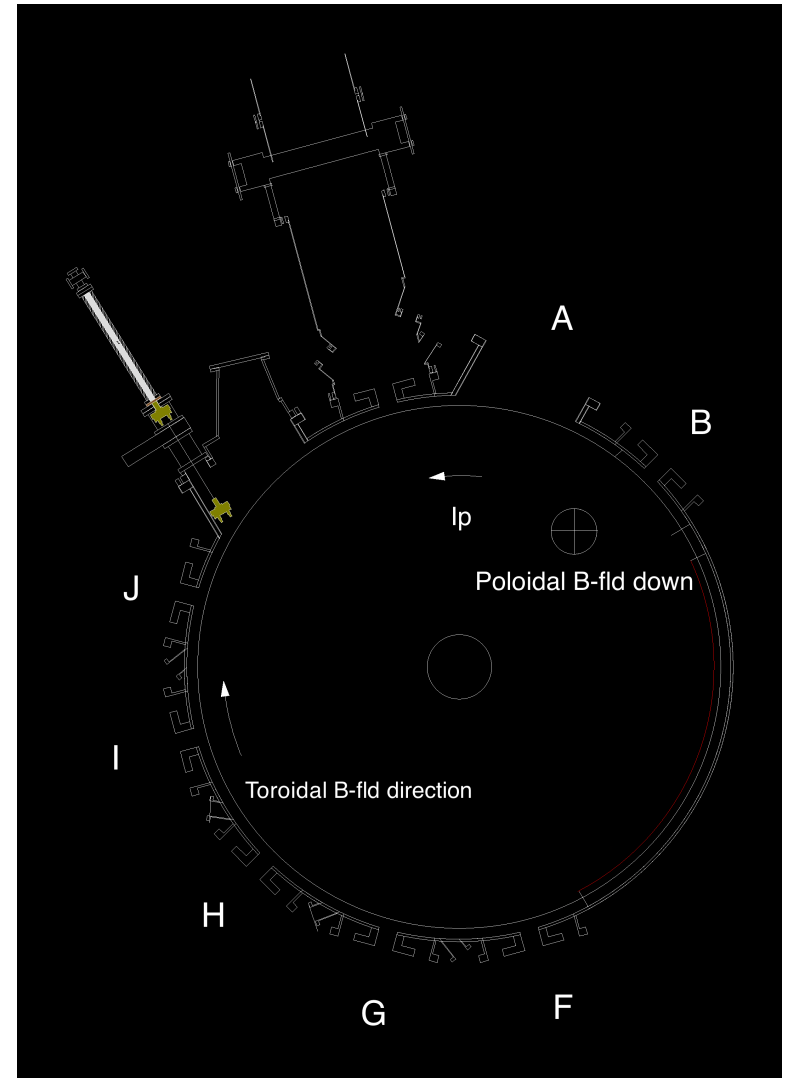
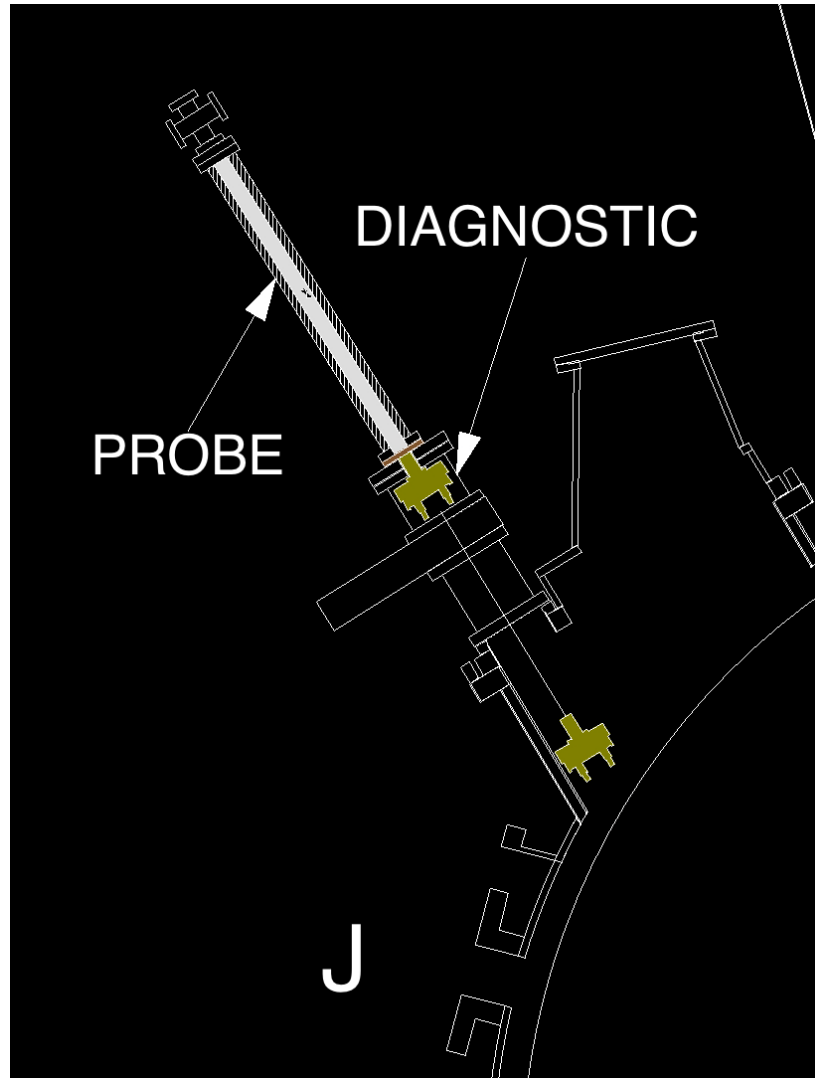
# DIAGNOSTIC DESIGN

Preliminary Design Review

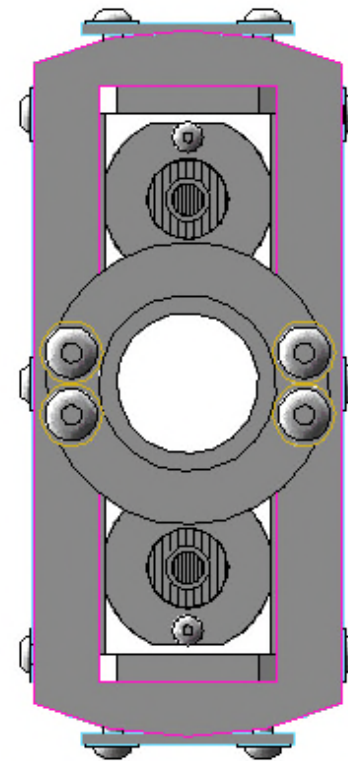
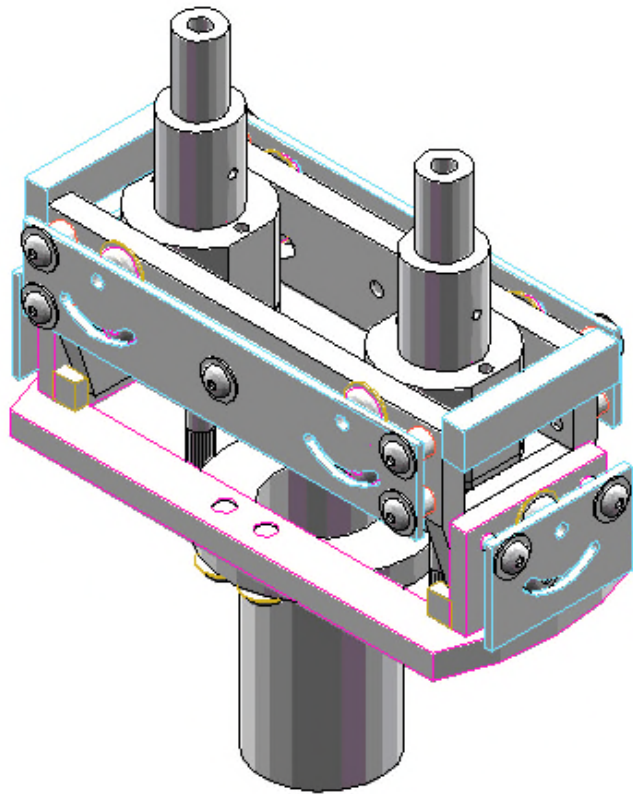
# Materials

- 316 stainless steel
- PPPL will silver plate all screws
- Parts will be darkened
- Screws to be secured by spot-welding silver wire

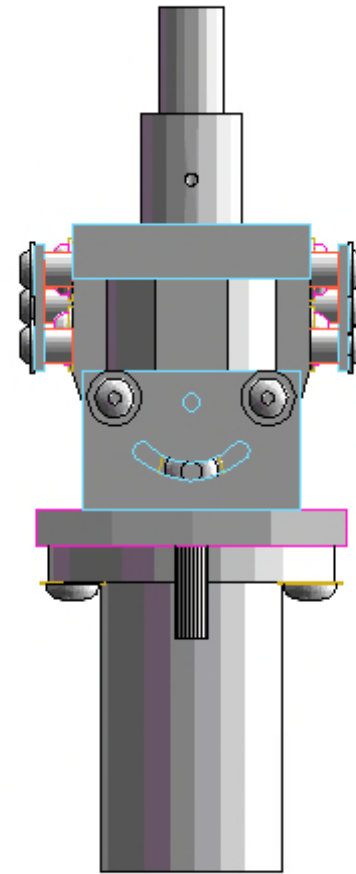
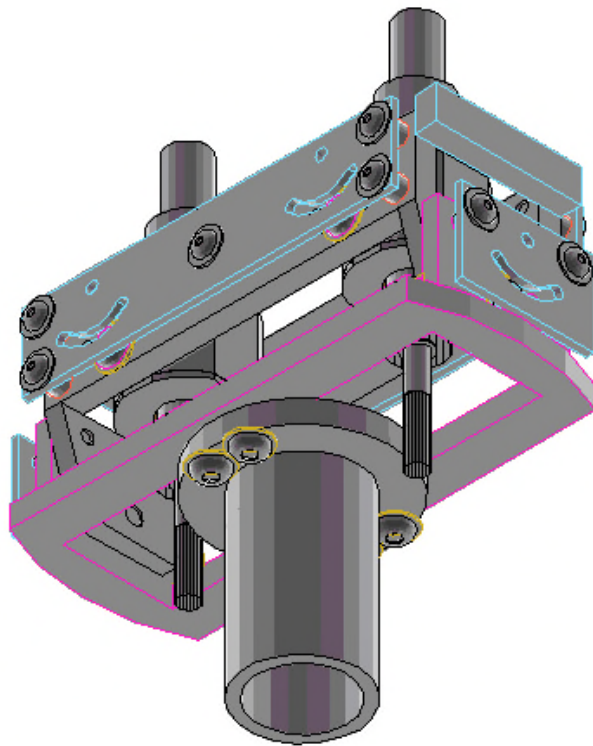
# Total Assembled View 1



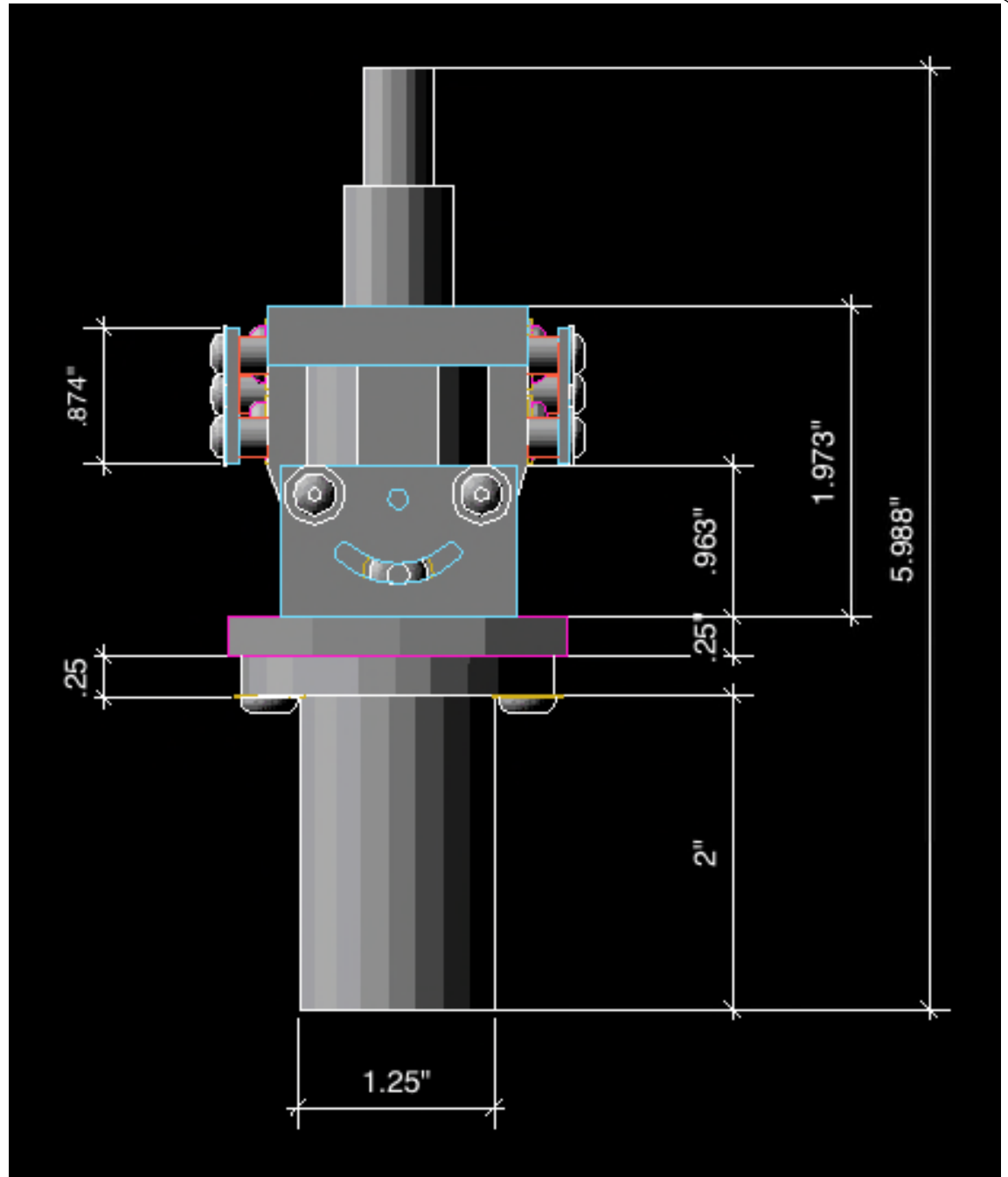
# Total Assembled View 2



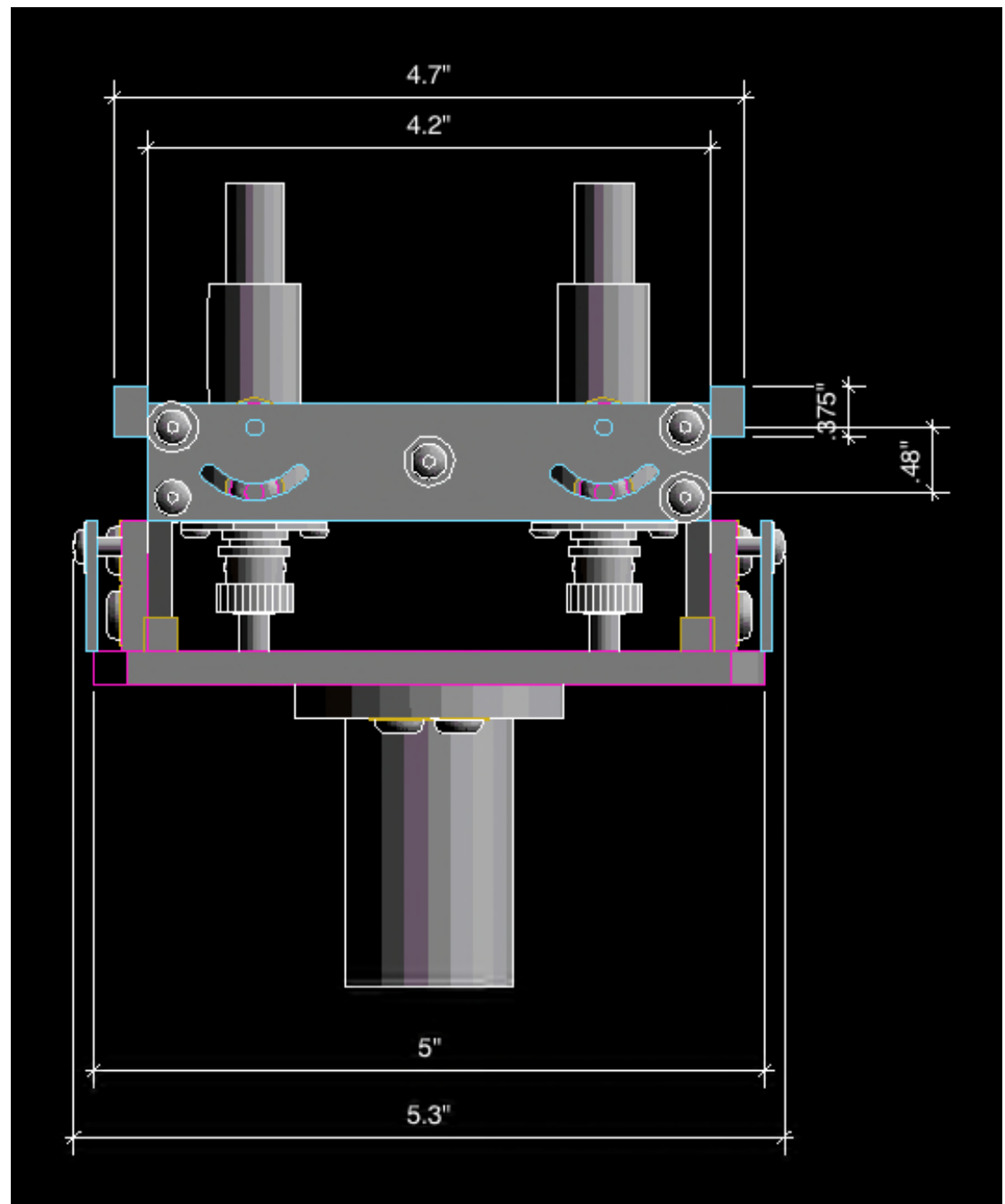
# Total Assembled View 2



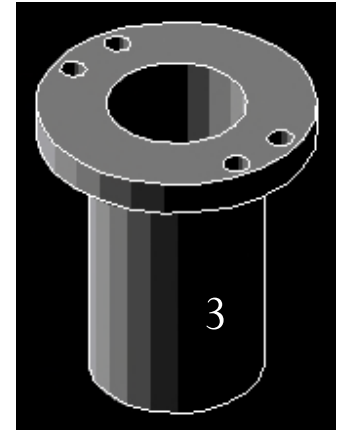
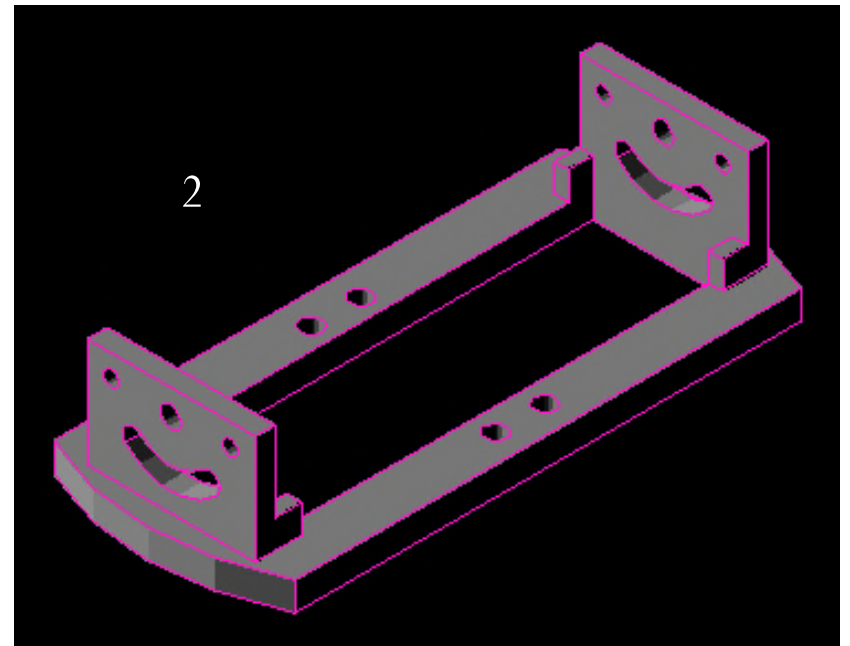
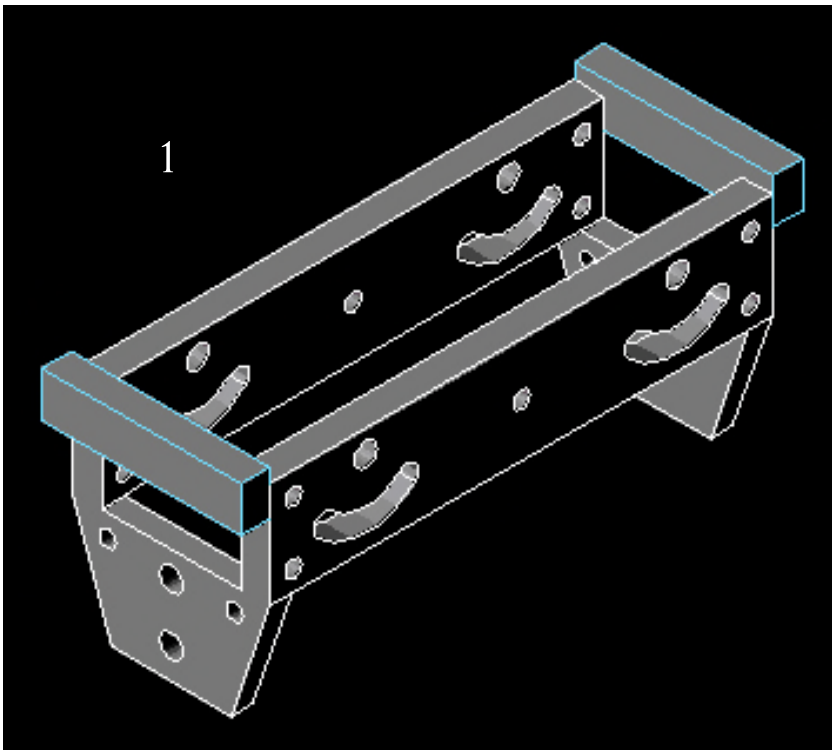
# Total Assembled View 2



# Total Assembled View 2

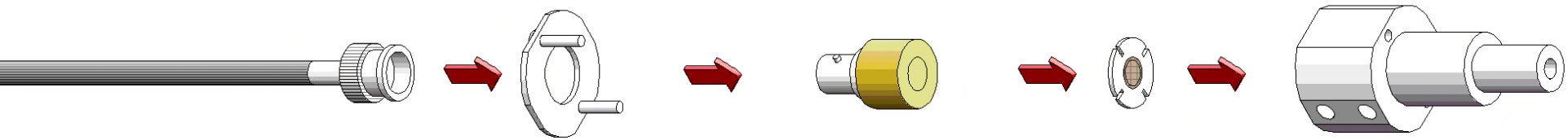


# Mounts 1, 2, 3





# Module Assembled View 1



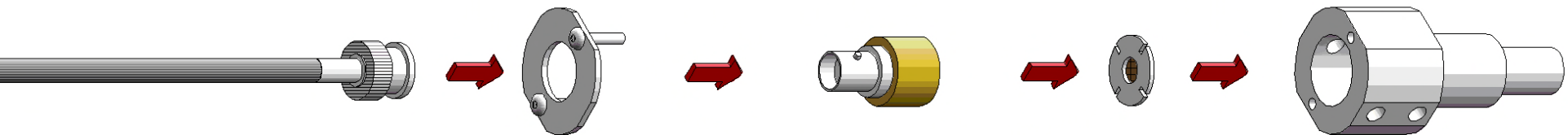
Cable

Base

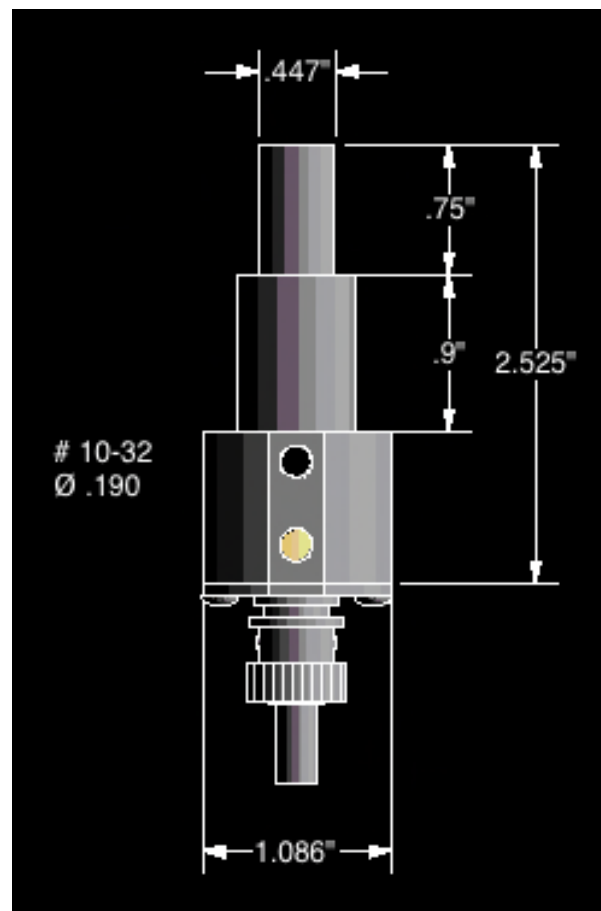
Detector

Washer

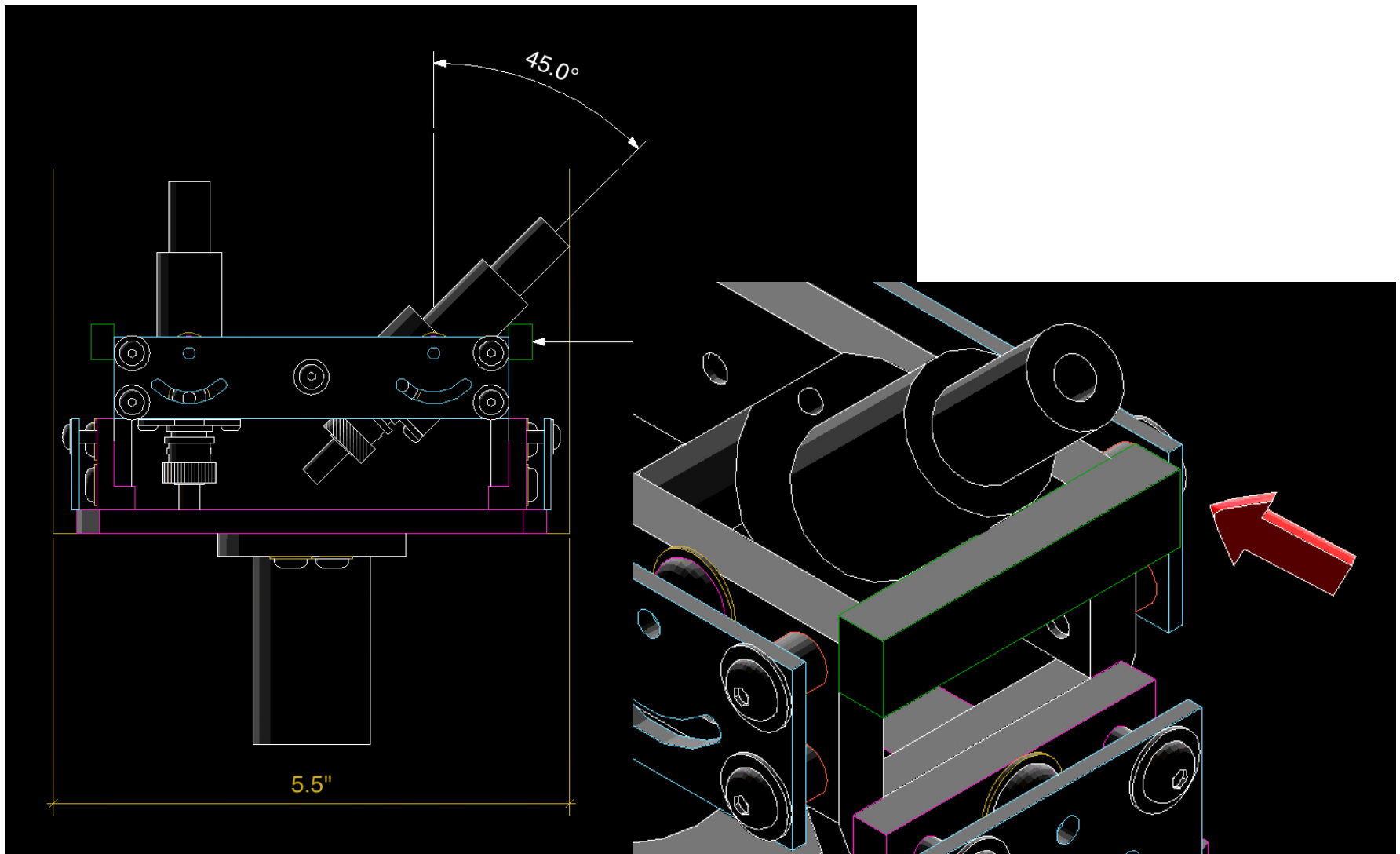
Module



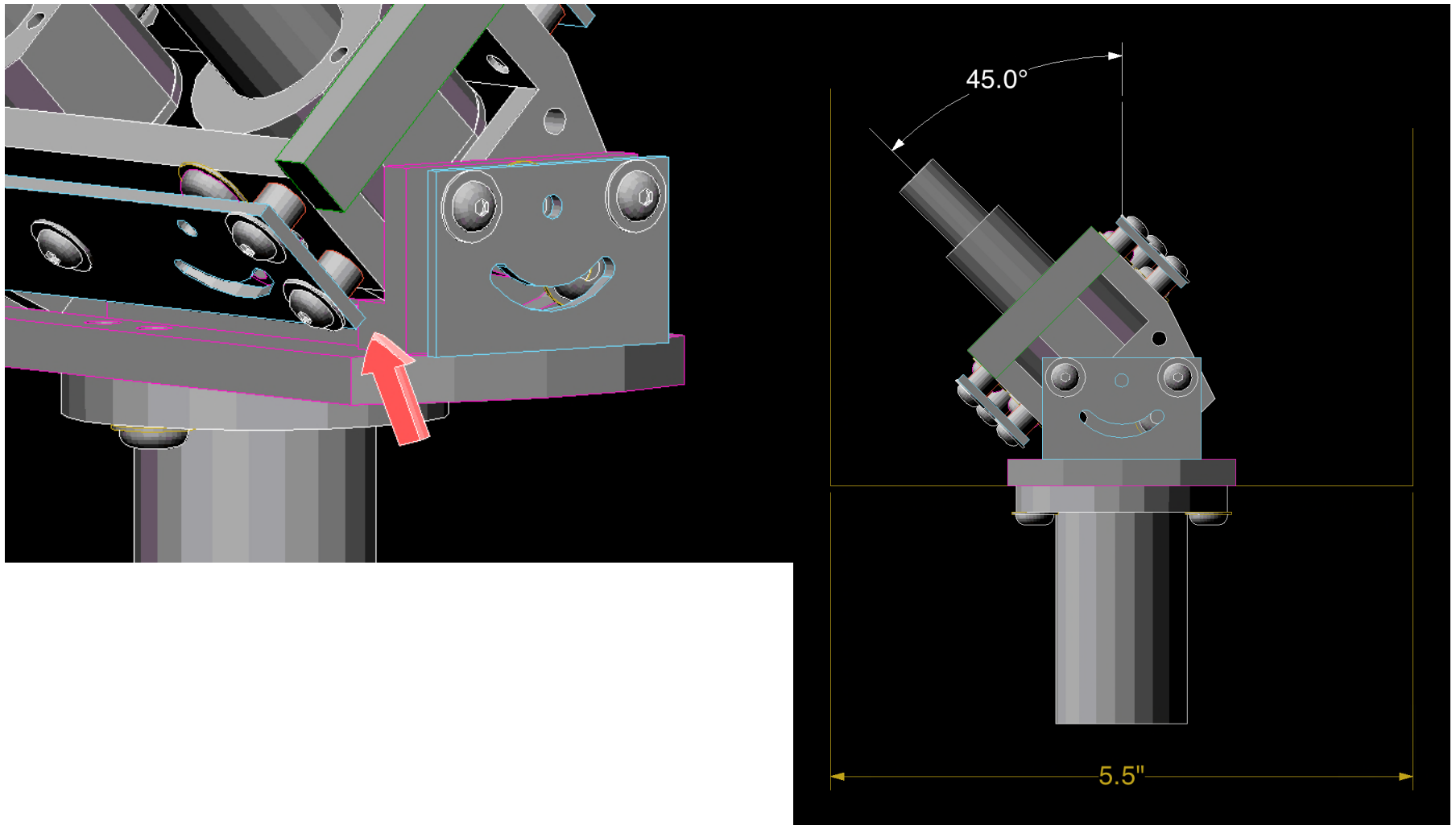
# Module Assembled View 2



# Module Rotation



# Mount 1 Rotation



# Covers

- Practical for changing module and mount rotation angle
- Holes are large enough for Allen Key to fit, but not for the socket cap screw to fall out
- Screws securing cover are spot-welded

