

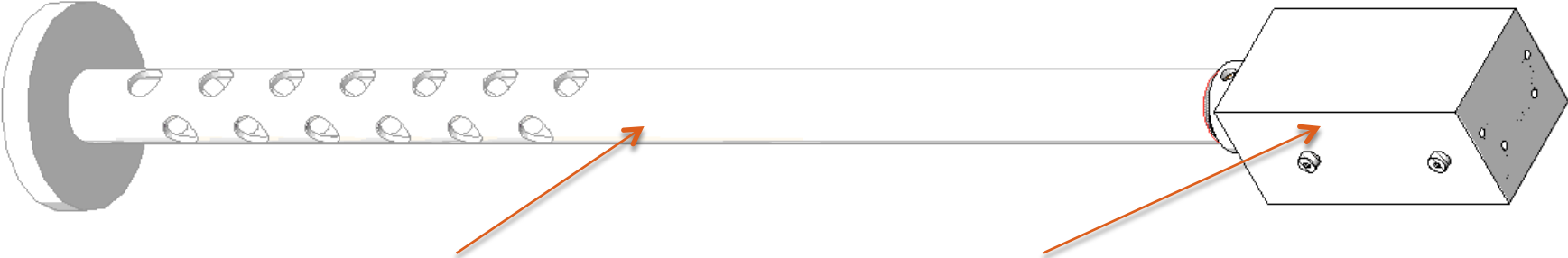
# DIAGNOSTIC DESIGN

MAST Installation

# Overview

- Materials
  - 316 stainless steel
  - Boron Nitride Grade A ceramic from St. Gobain
  - Bronze (1 washer)
- Secure Screws
  - Spot-welding SS wire on SS316 screws
  - Spot-welding SS wire on BN?
- Diagnostic Design
  - 4-channel array
  - Each channel separated by 7.5 degrees

# Total Assembled View



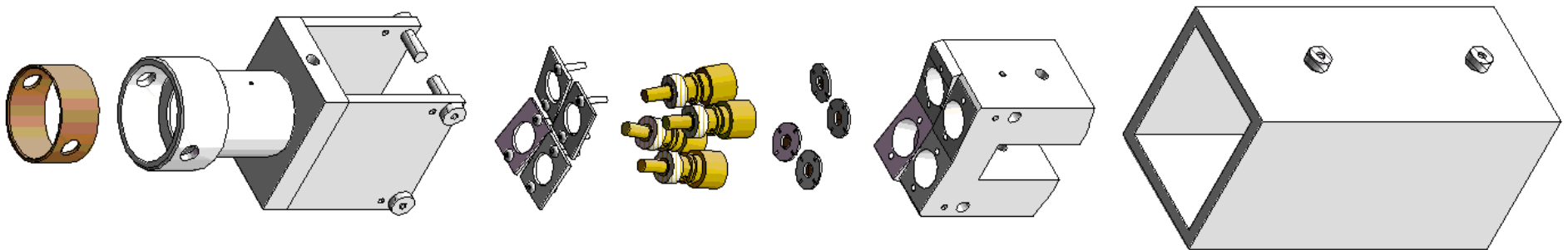
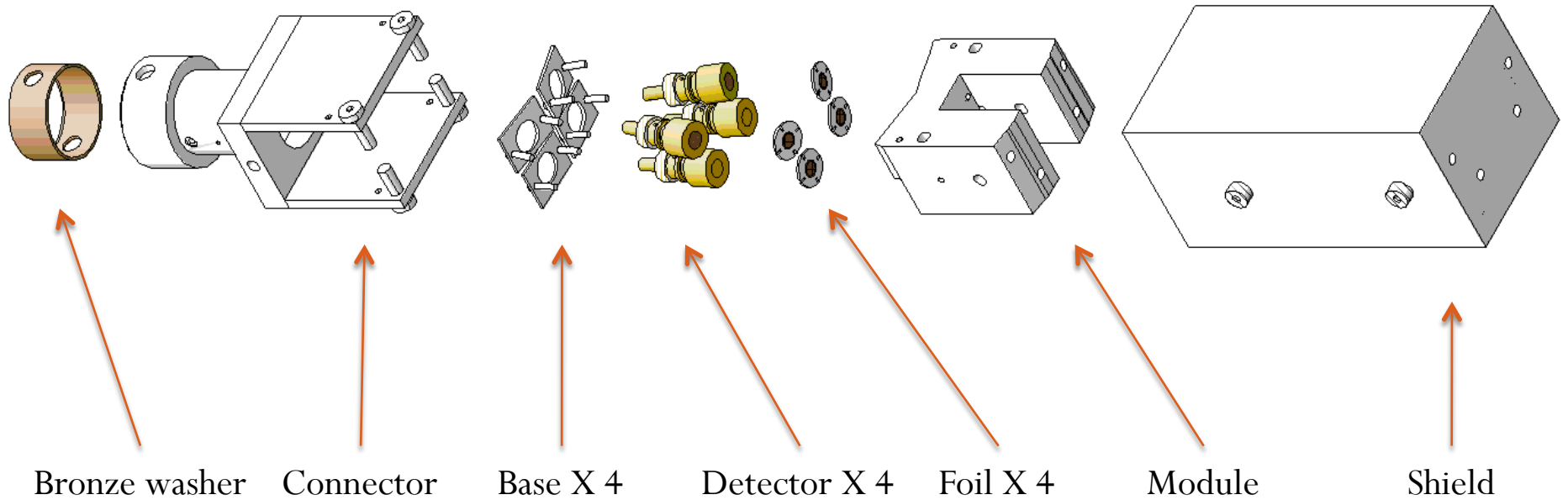
MAST  
Reciprocating  
Probe

Diagnostic

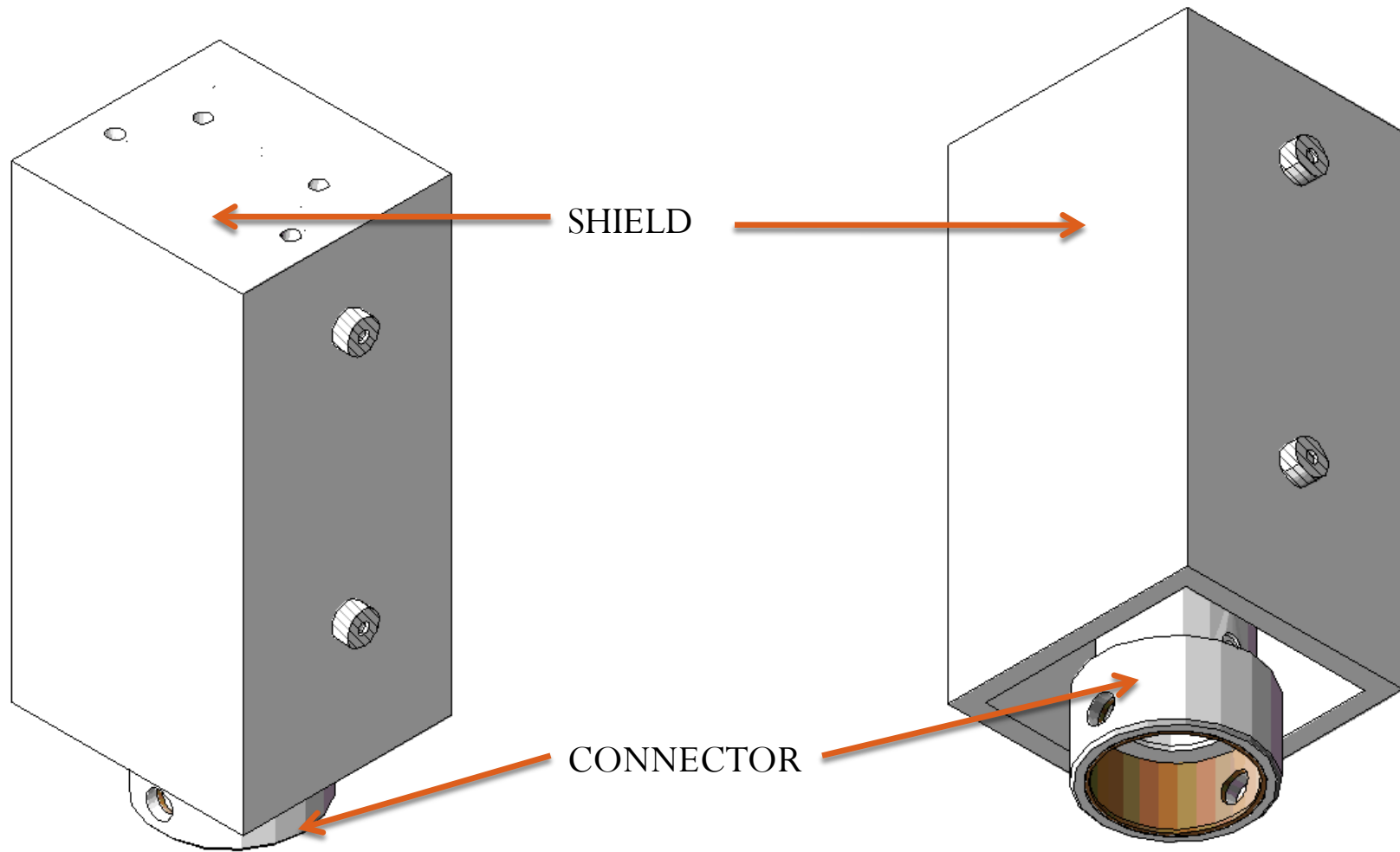


Diagnostic  
Without Shield

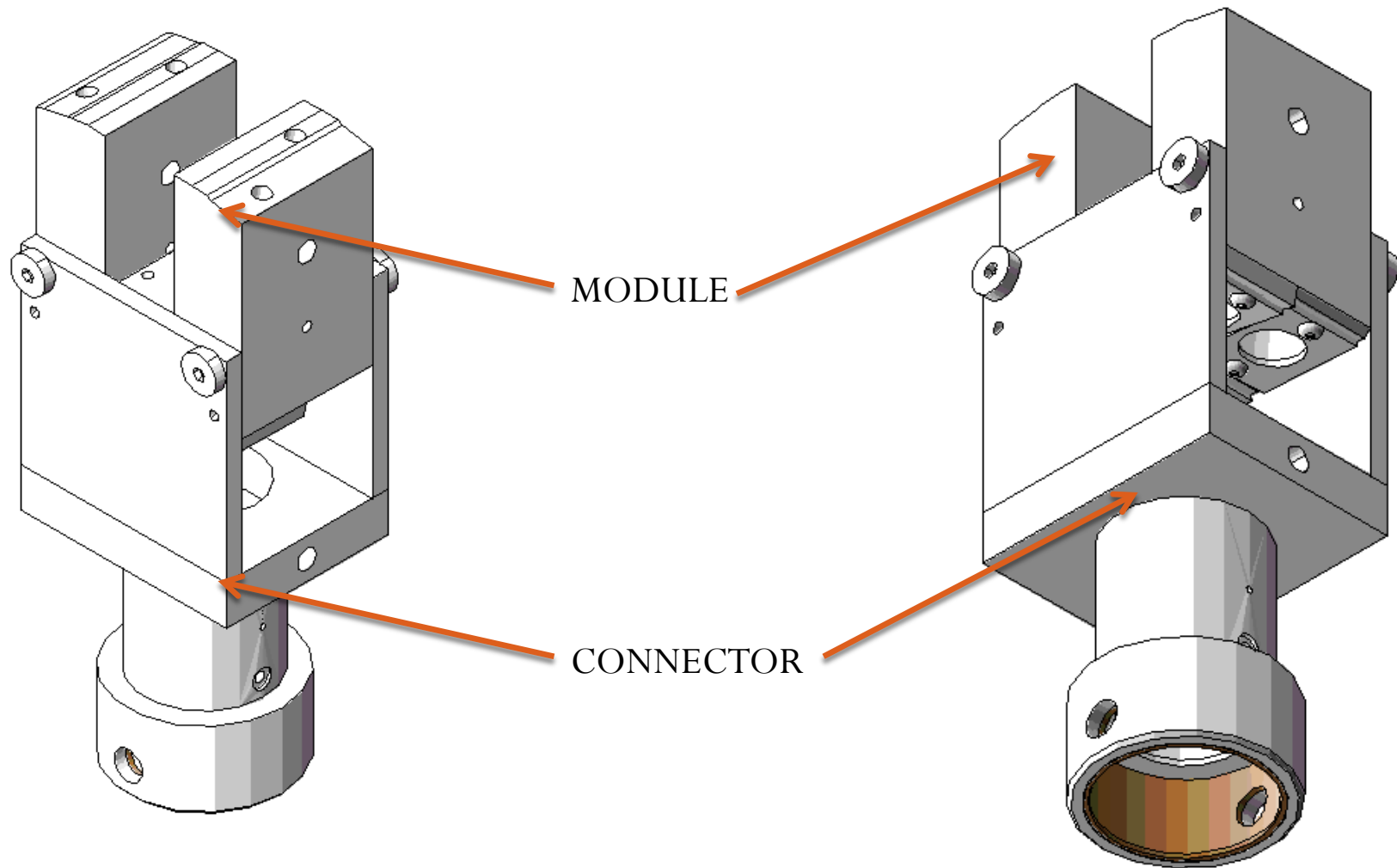
# Total Assembled View



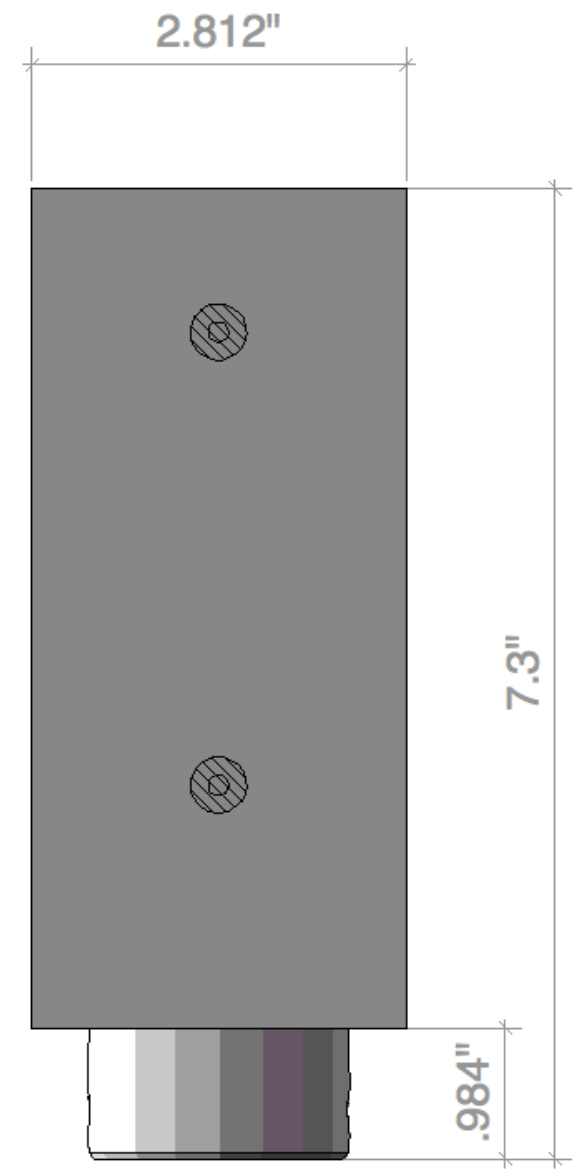
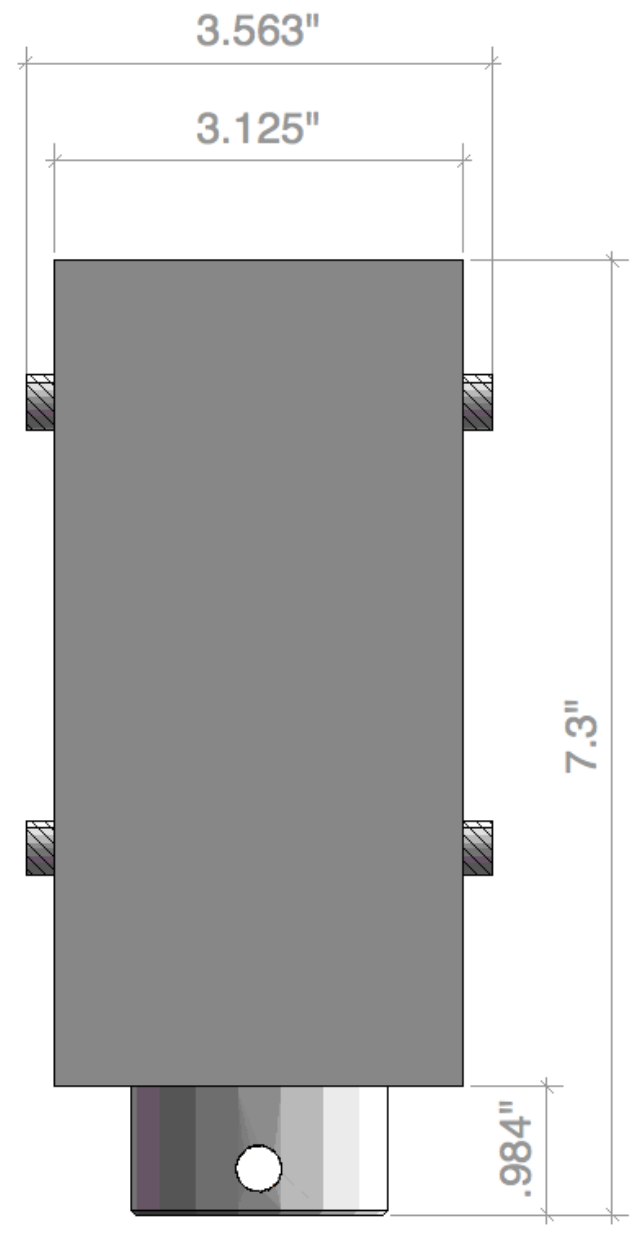
# Total Assembled View 1



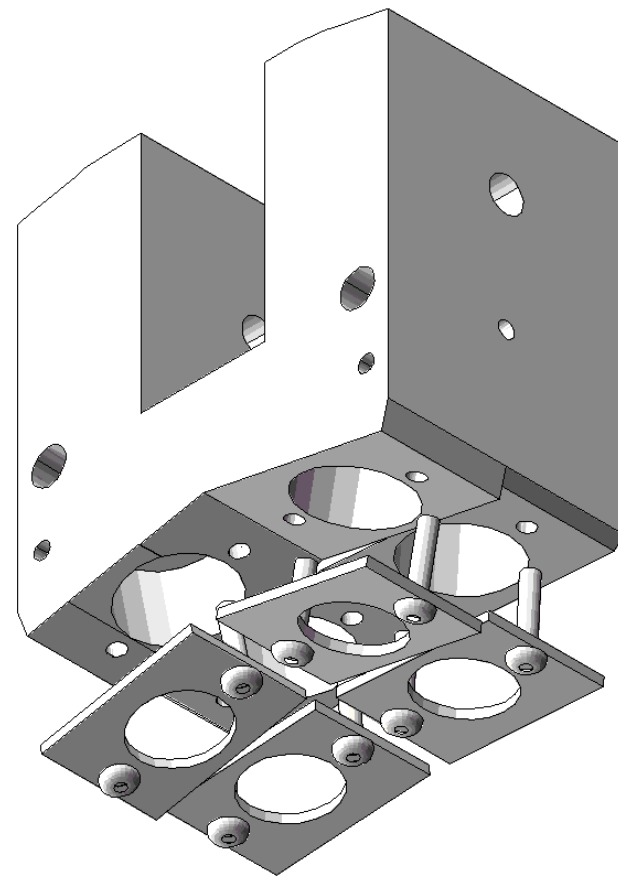
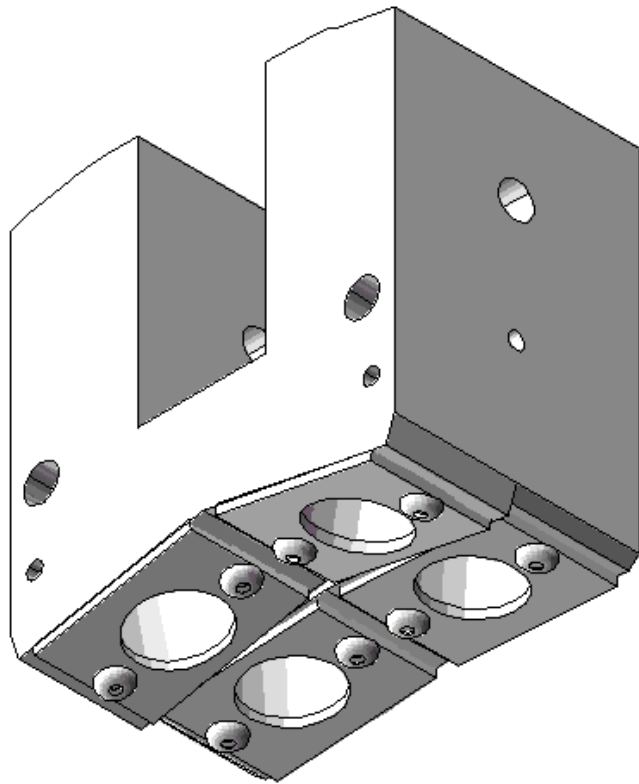
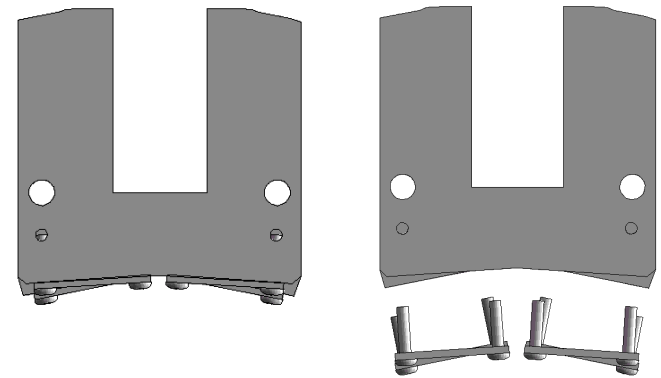
# Total Assembled View 2



# Total Assembled Dimensions

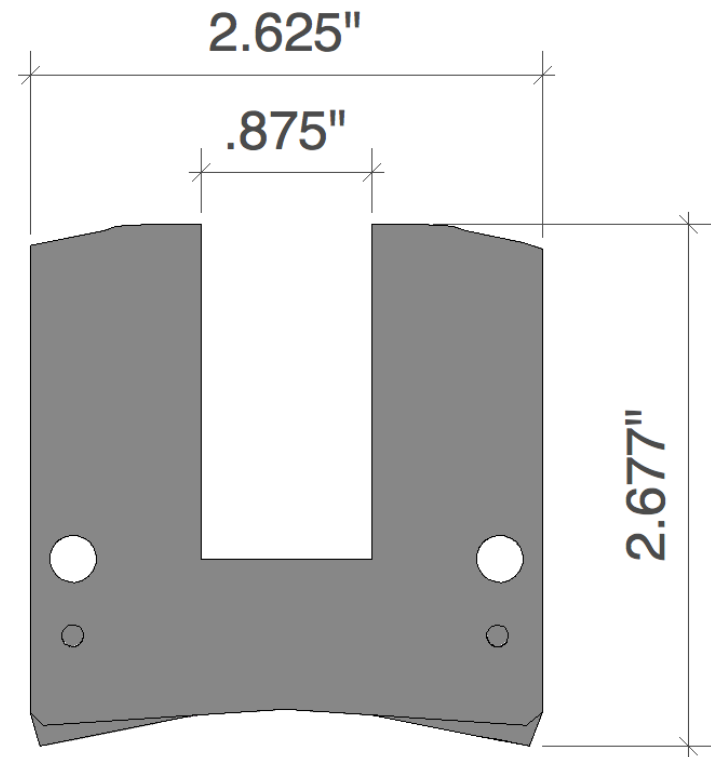
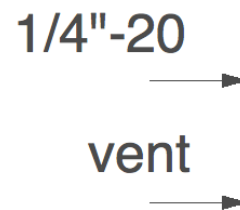
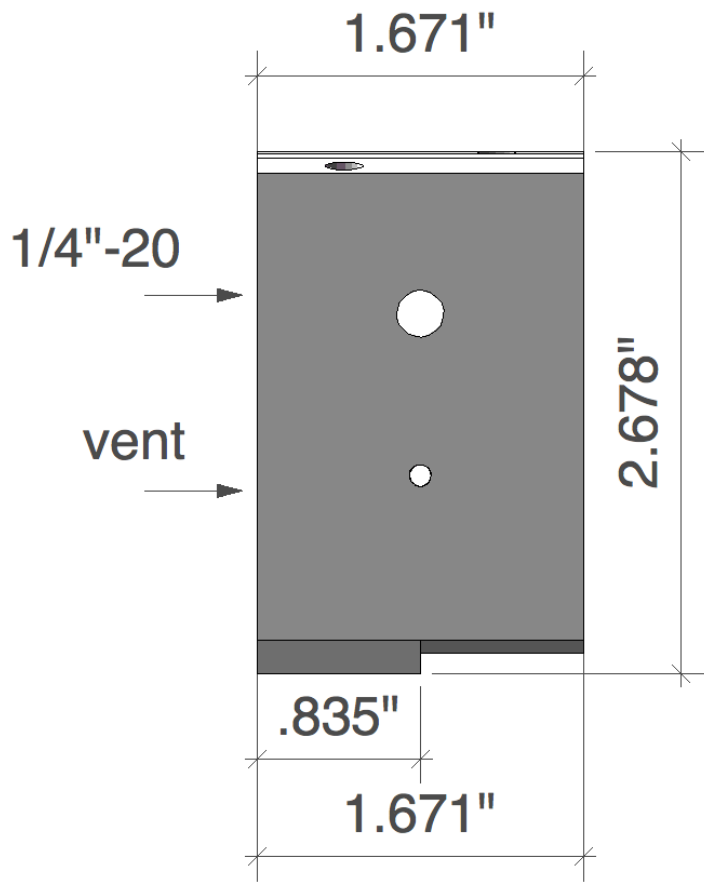
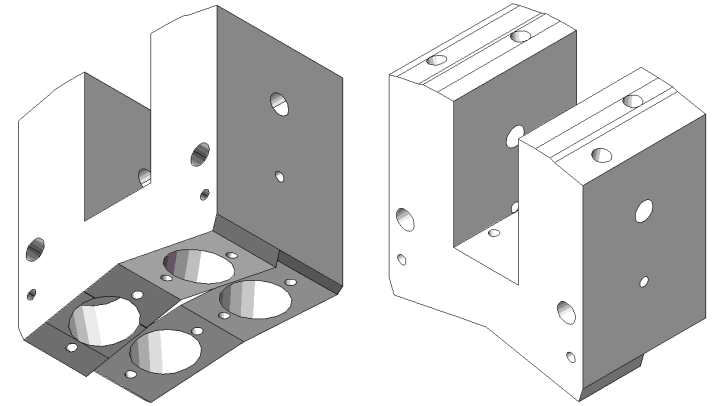


# Module Exploded View without detectors

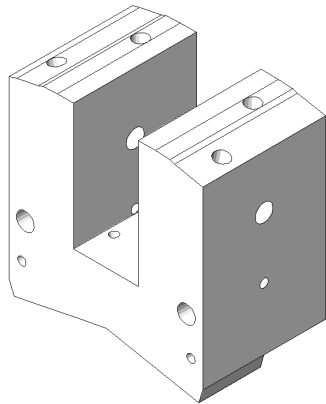
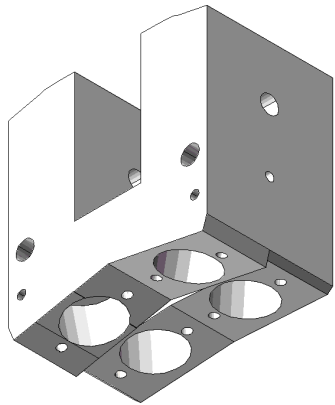




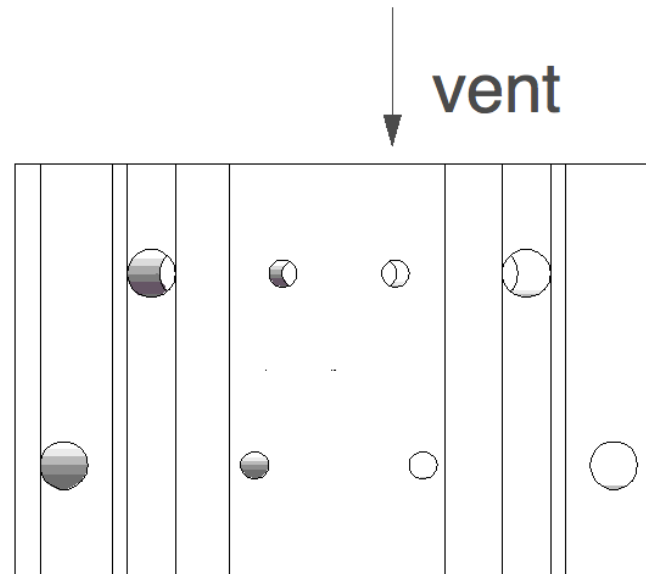
# Module Dimensions



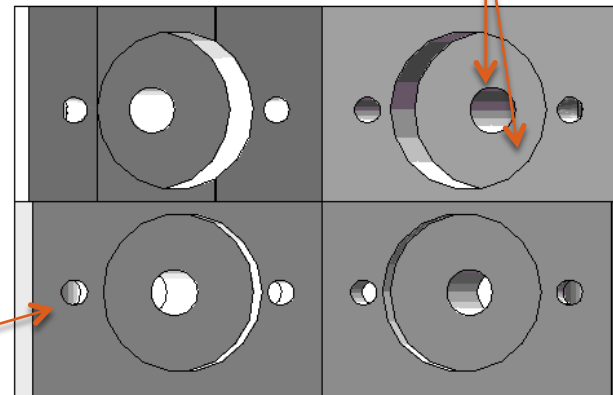
# Module Dimensions



collimator  
hole

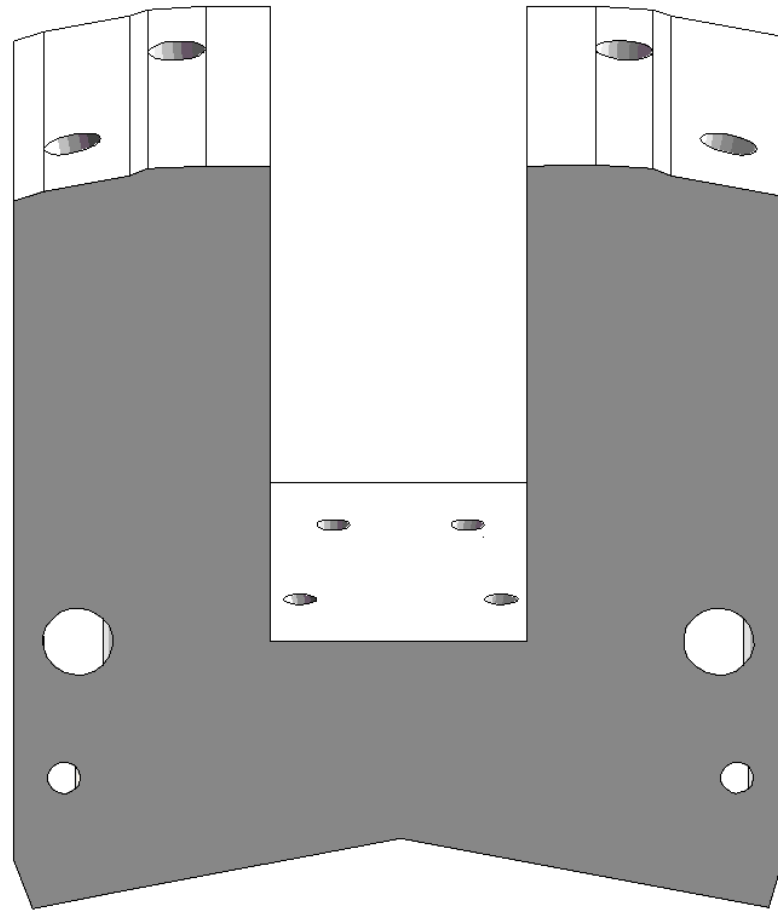
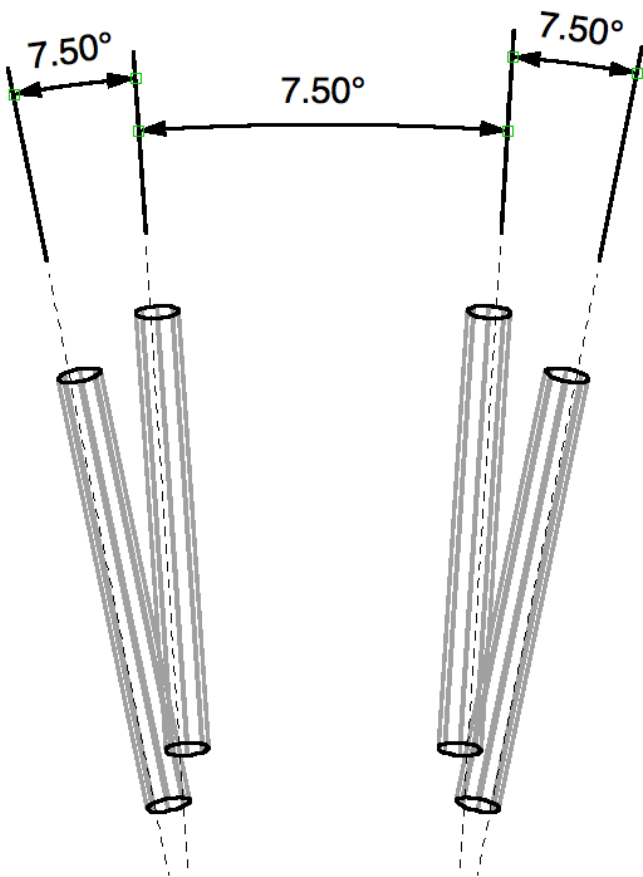


detector and  
collimator hole

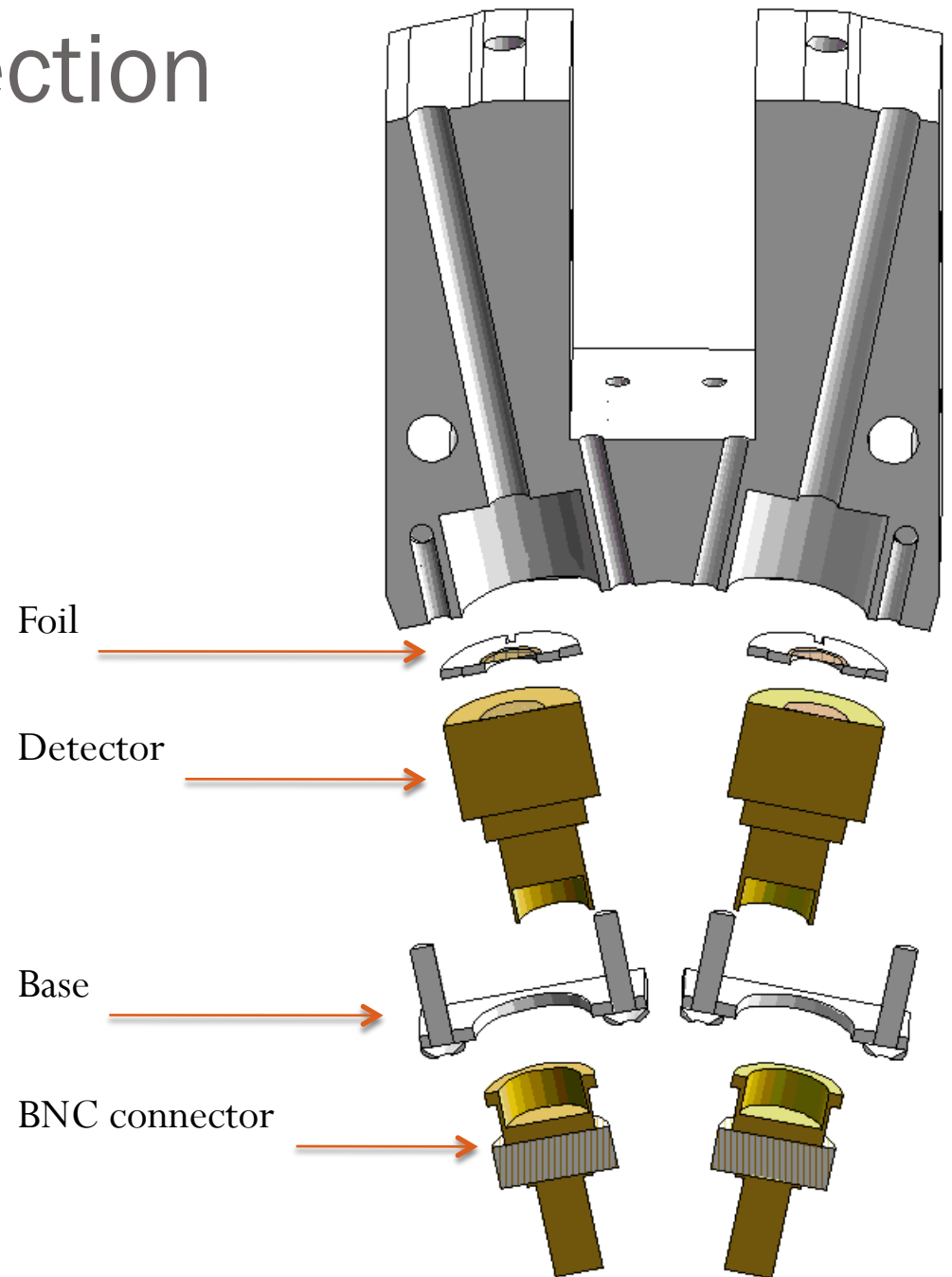
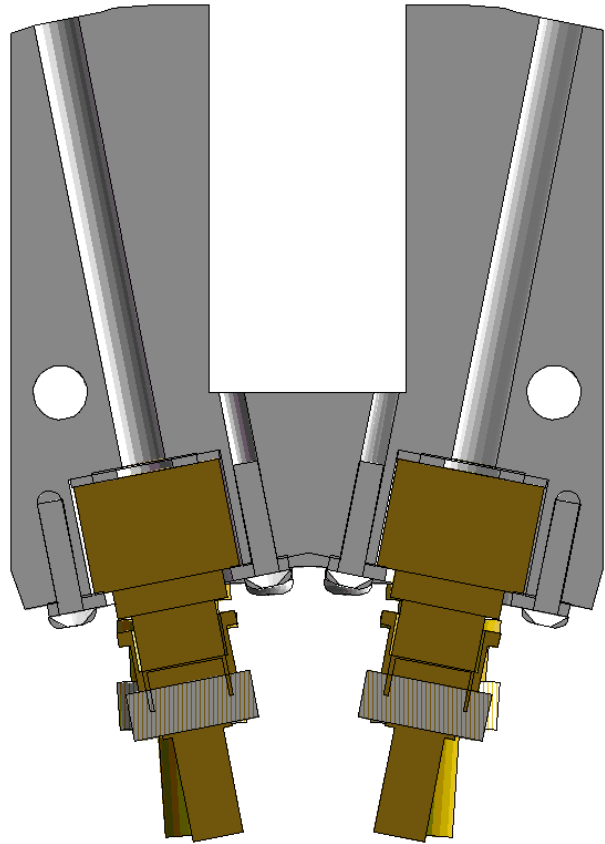


#4-40 to  
secure base  
to hold  
detectors

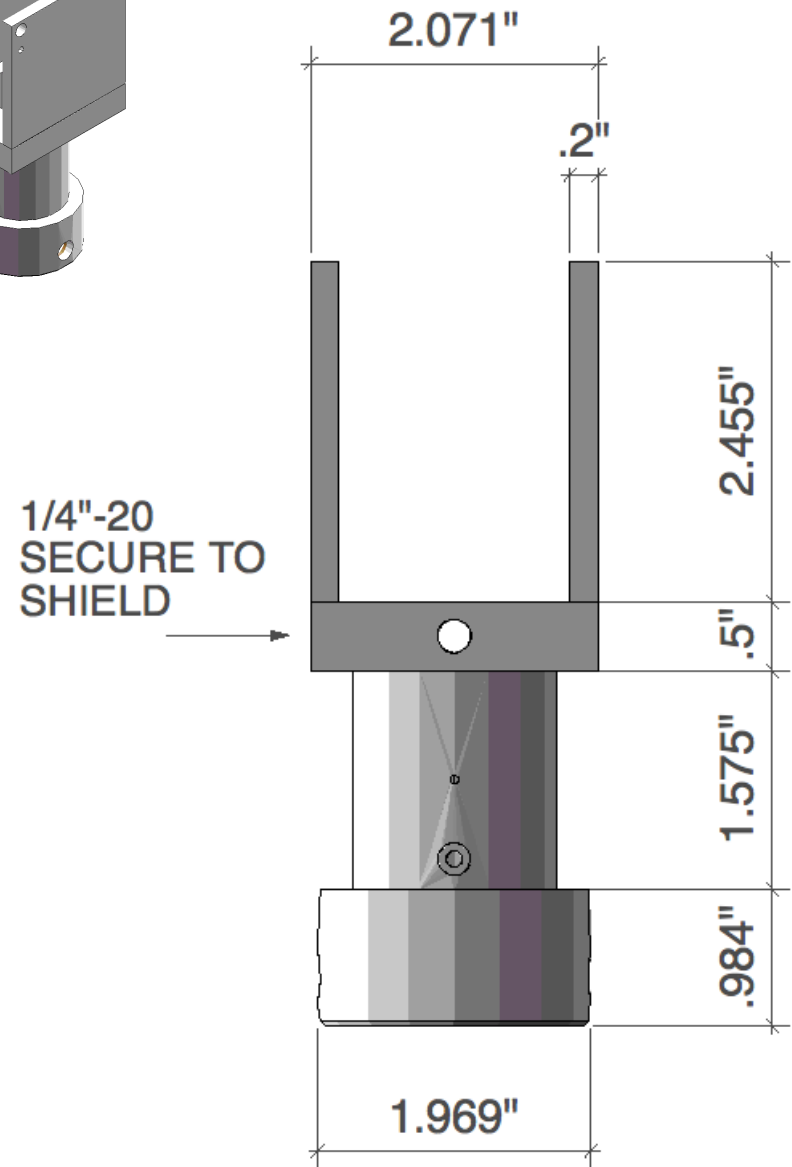
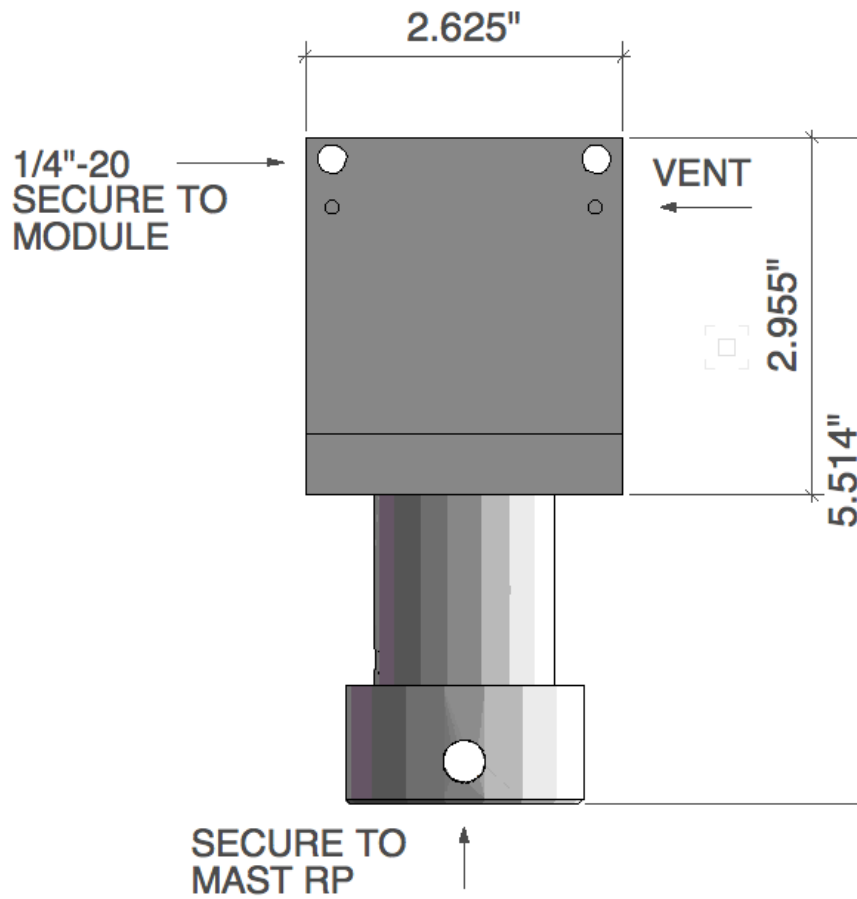
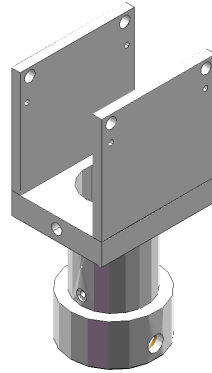
# Module Angles



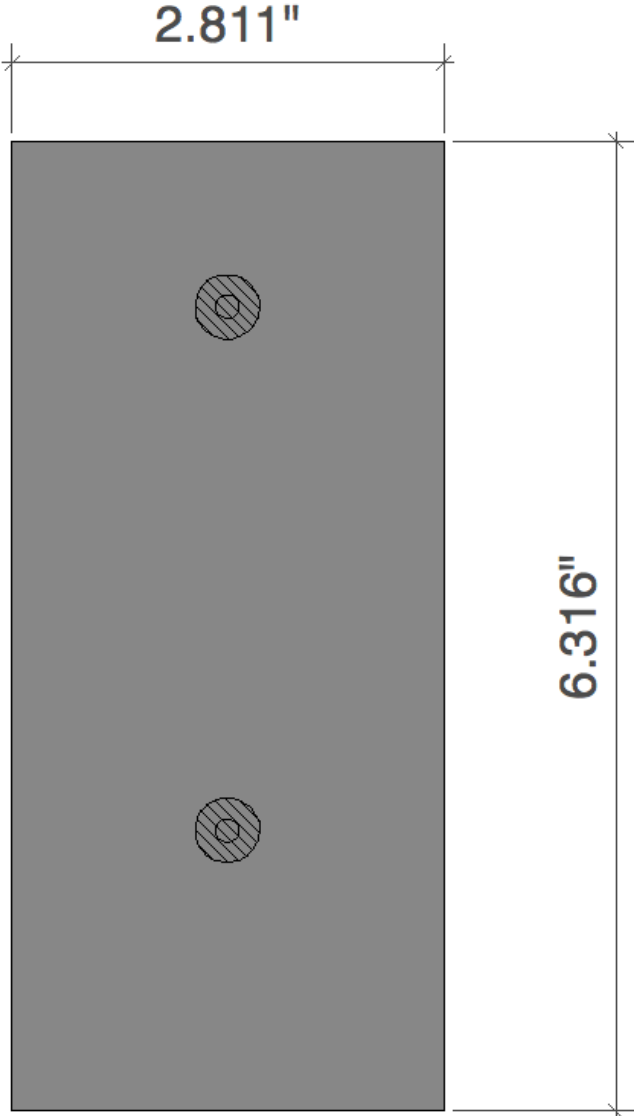
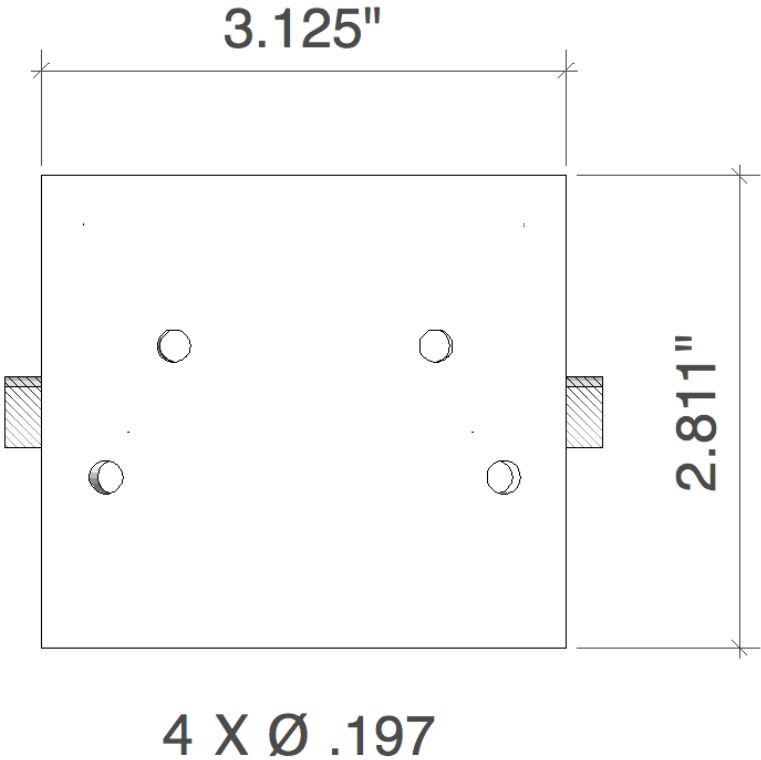
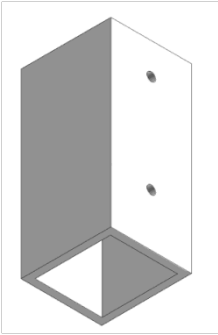
# Module Cross-section



# Connector Dimensions



# Shield Dimensions



# Alternate Washer

