

DIAGNOSTIC DESIGN

MAST Installation

PLEASE NOTE THAT PPPL COMMENTS REGARDING
THE DESIGN APPEAR IN THESE BOXES

PLEASE NOTE THAT MAST COMMENTS
REGARDING THE DESIGN APPEAR IN THESE BOXES

Overview

COMMENT 2

ISSUE: IS GRADE OF BN CERAMIC APPROPRIATE?

IDEA: CONTACT MAST COLLEAGUES

RESPONSE ST. GOBAIN GRADE XP
(HIGH PURITY-LOW MOISTURE
ABSORPTION)

- Materials
 - 316 stainless steel
 - Boron Nitride Grade COMBAT A ceramic solid from St. Gobain
 - Phosphor Bronze PB102
- Secure Screws
 - Spot-welding SS wire on SS316 screws
 - Spot-welding SS wire on BN?
- Diagnostic Design
 - 4-channel array
 - Each channel separated by 7.5 degrees

BRONZE WASHER NOW INCORPORATED INTO
CURRENT MAST RP- NOT NEEDED FOR PLUG
HOUSING UNIT (GET UPDATED RP DRAWINGS)

COMMENT 9

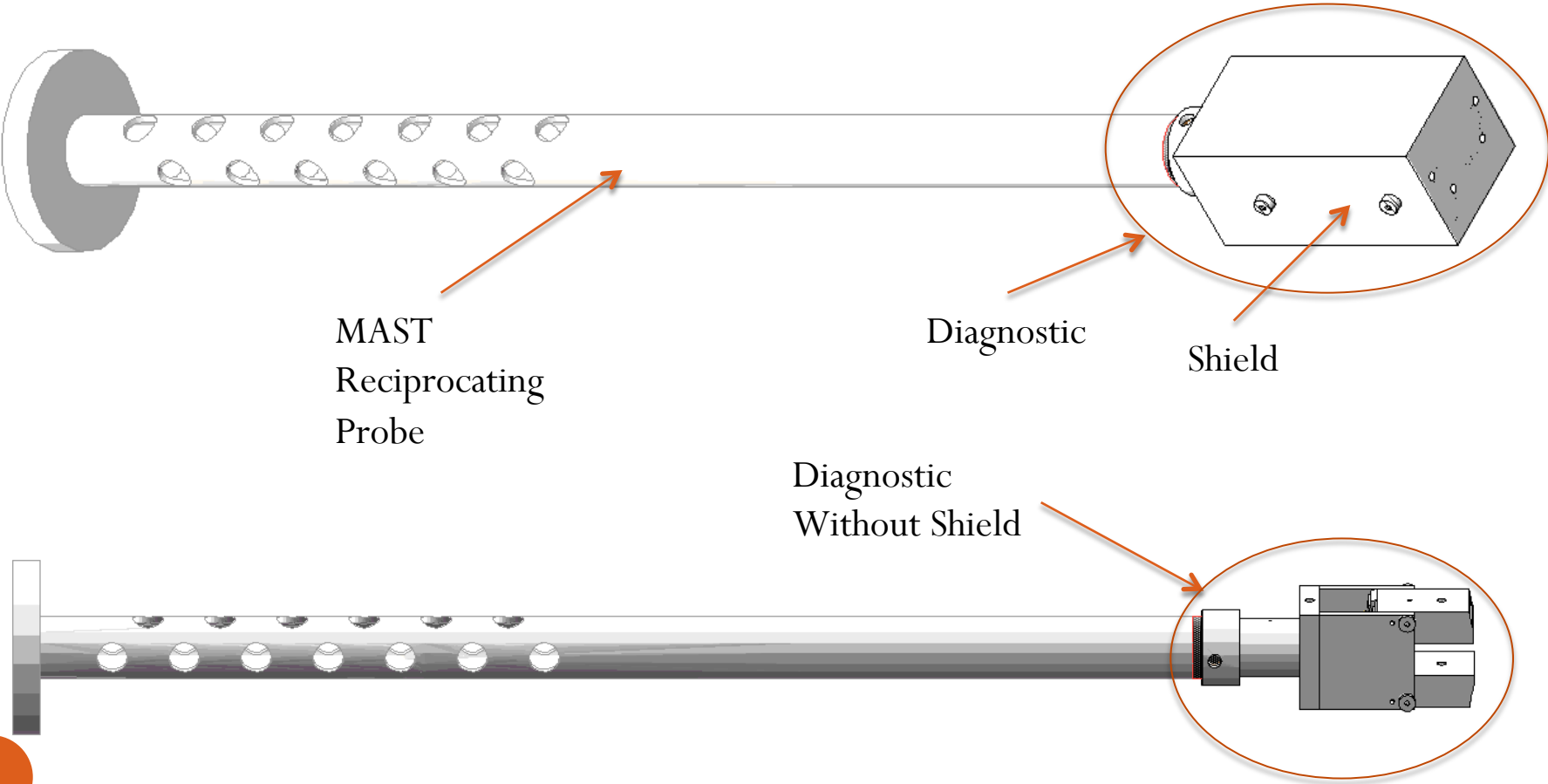
ISSUE: MAST DESIGN REGULATIONS
REGARDING DIAGNOSTICS

IDEA: CONTACT MAST COLLEAGUES

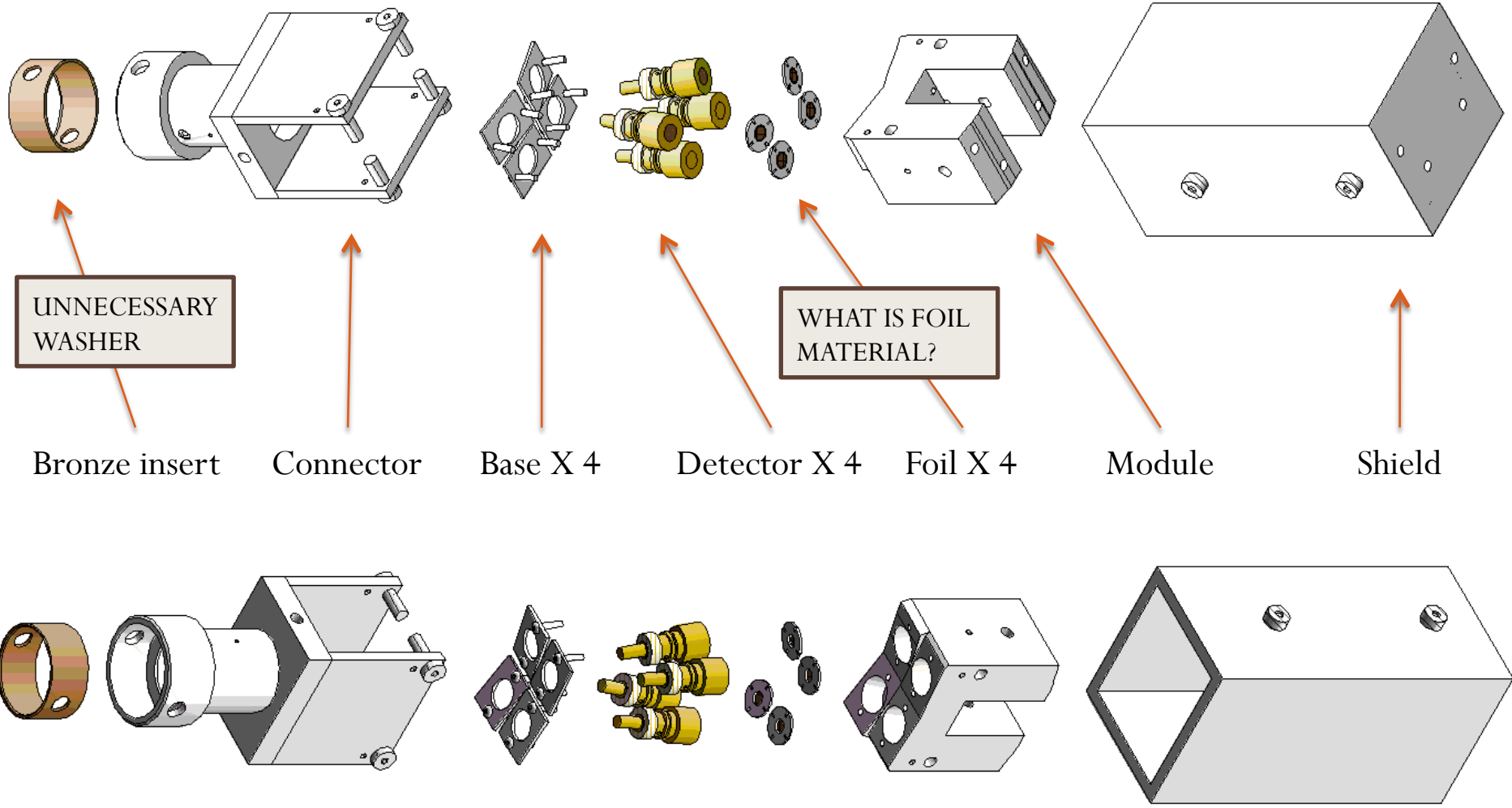
Total Assembled View

NOTE THAT SLIDE 14 HAS SHIELD COMMENTS

NOTE THAT SLIDE 14 HAS SHIELD COMMENT



Total Exploded View



UNNECESSARY
WASHER

WHAT IS FOIL
MATERIAL?

Bronze insert

Connector

Base X 4

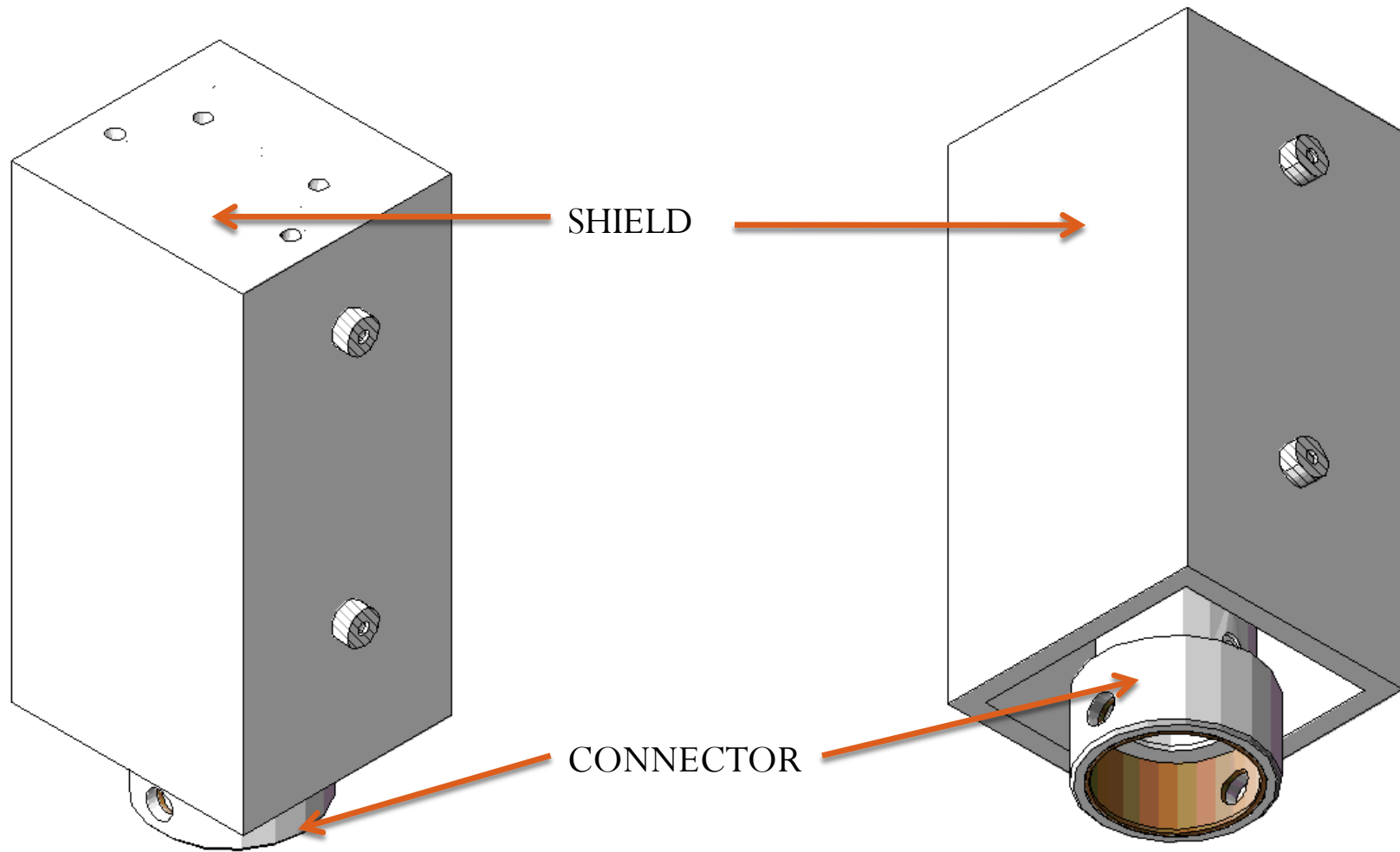
Detector X 4

Foil X 4

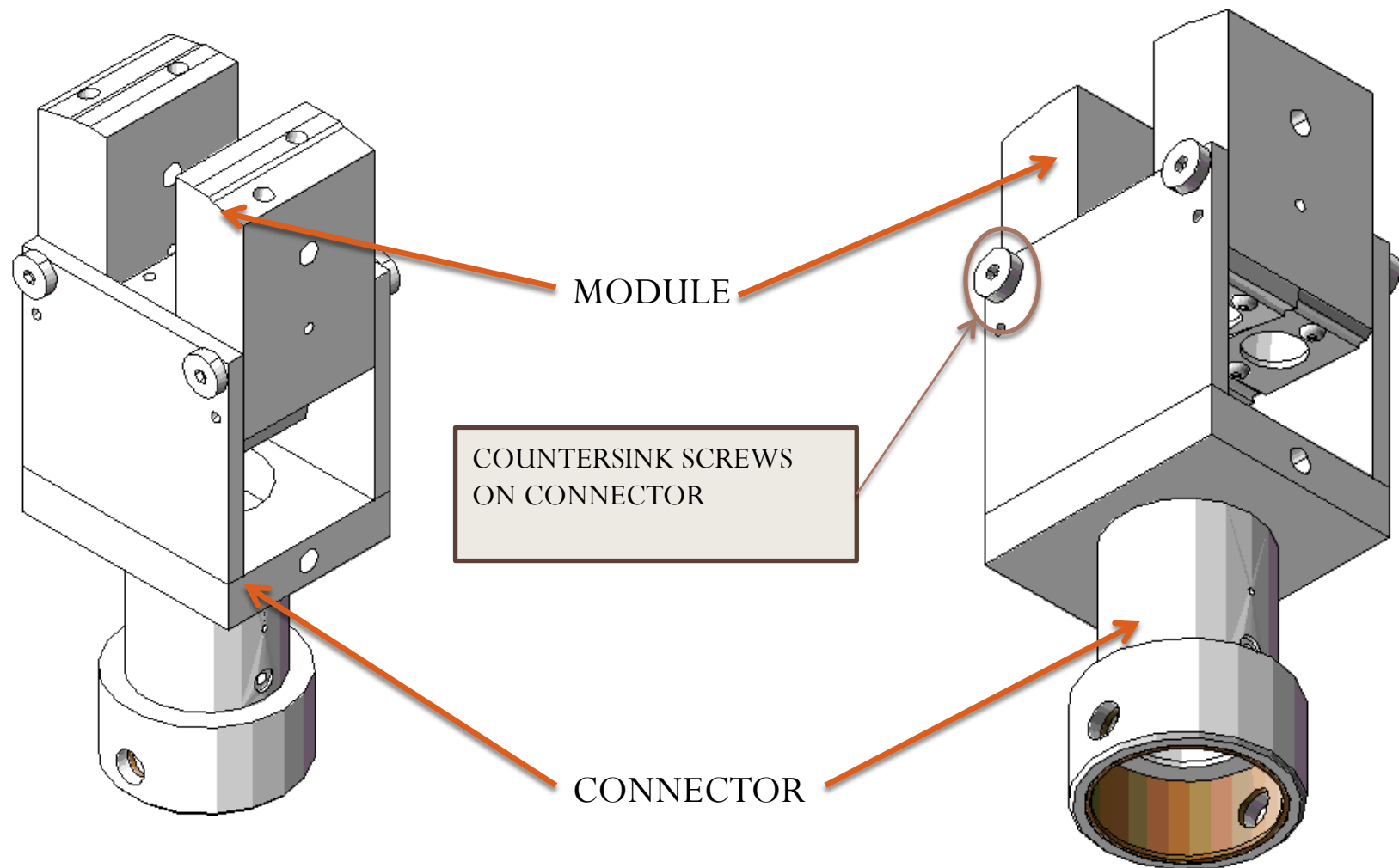
Module

Shield

Assembled View with Shield

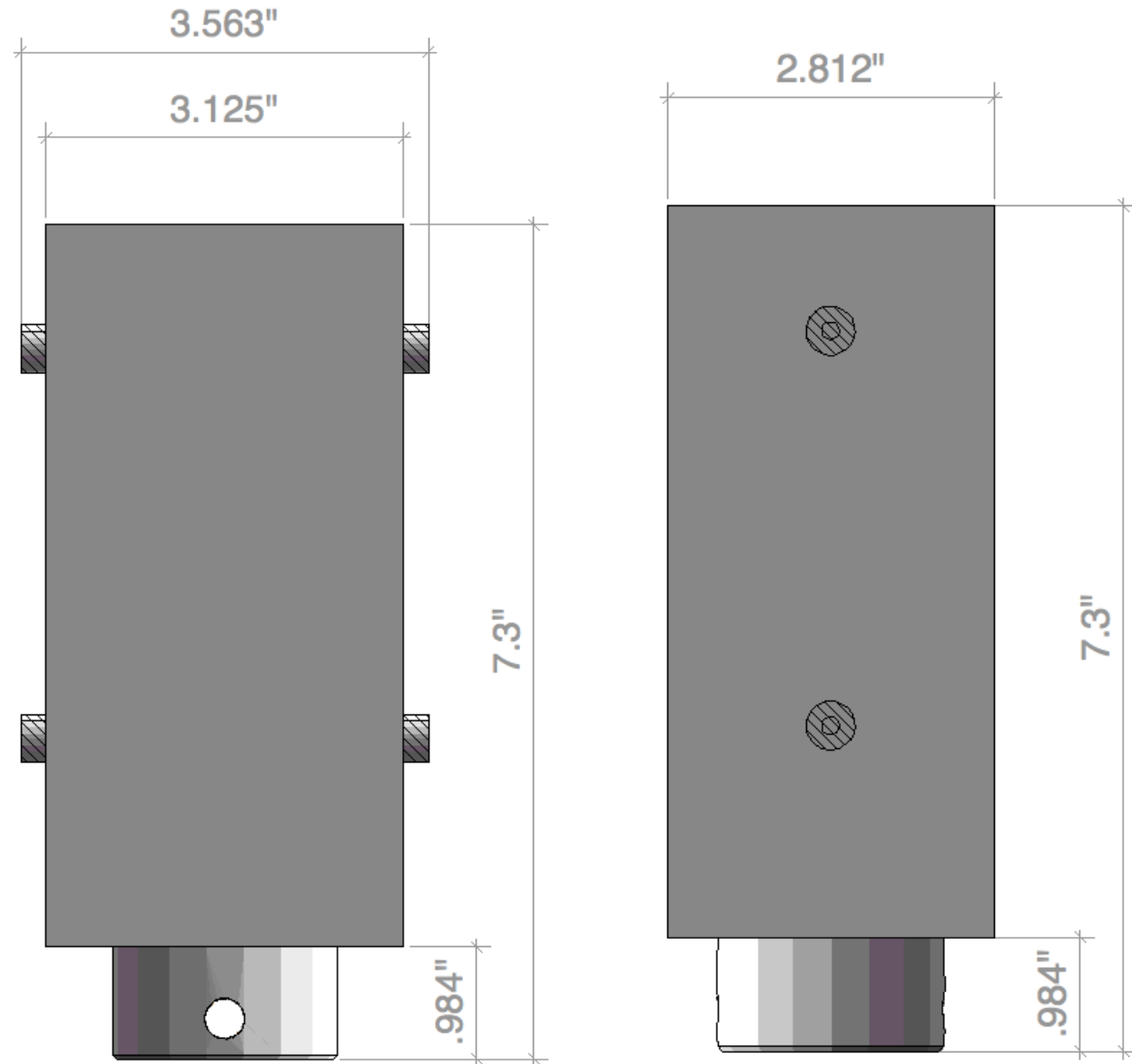


Assembled View without Shield

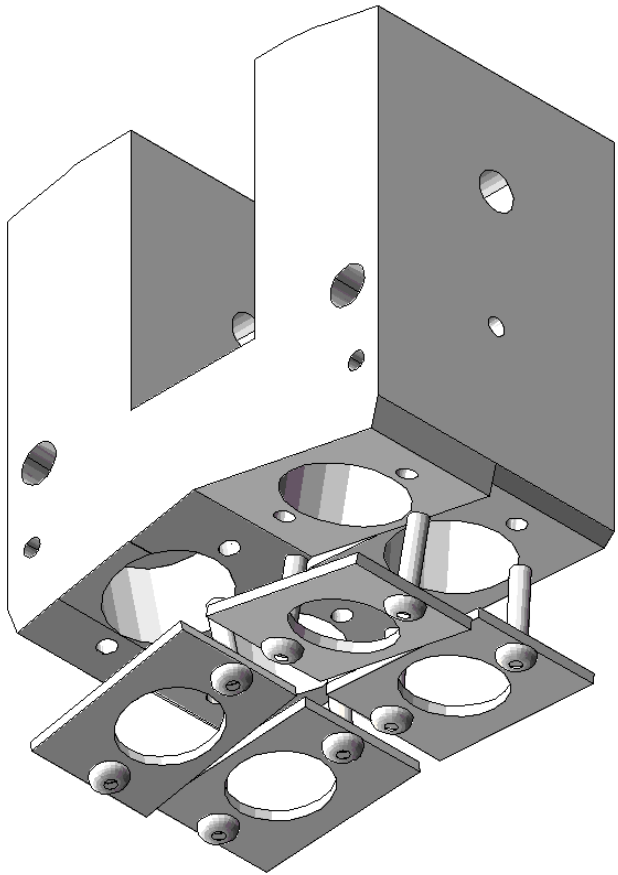
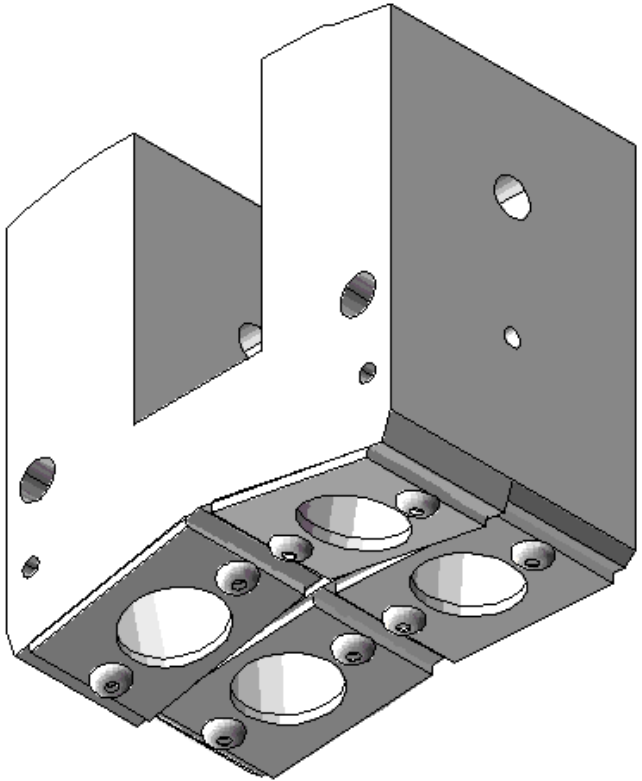
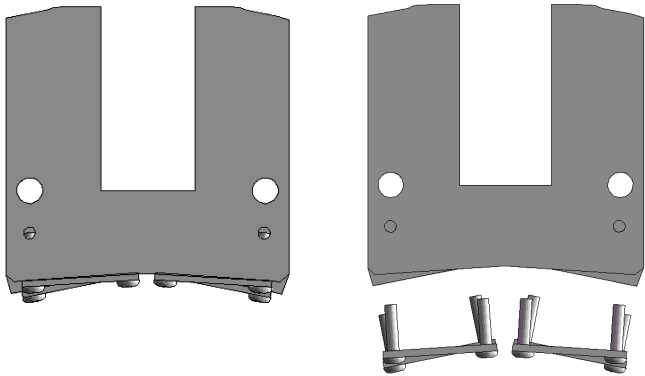


Total Assembled Dimension

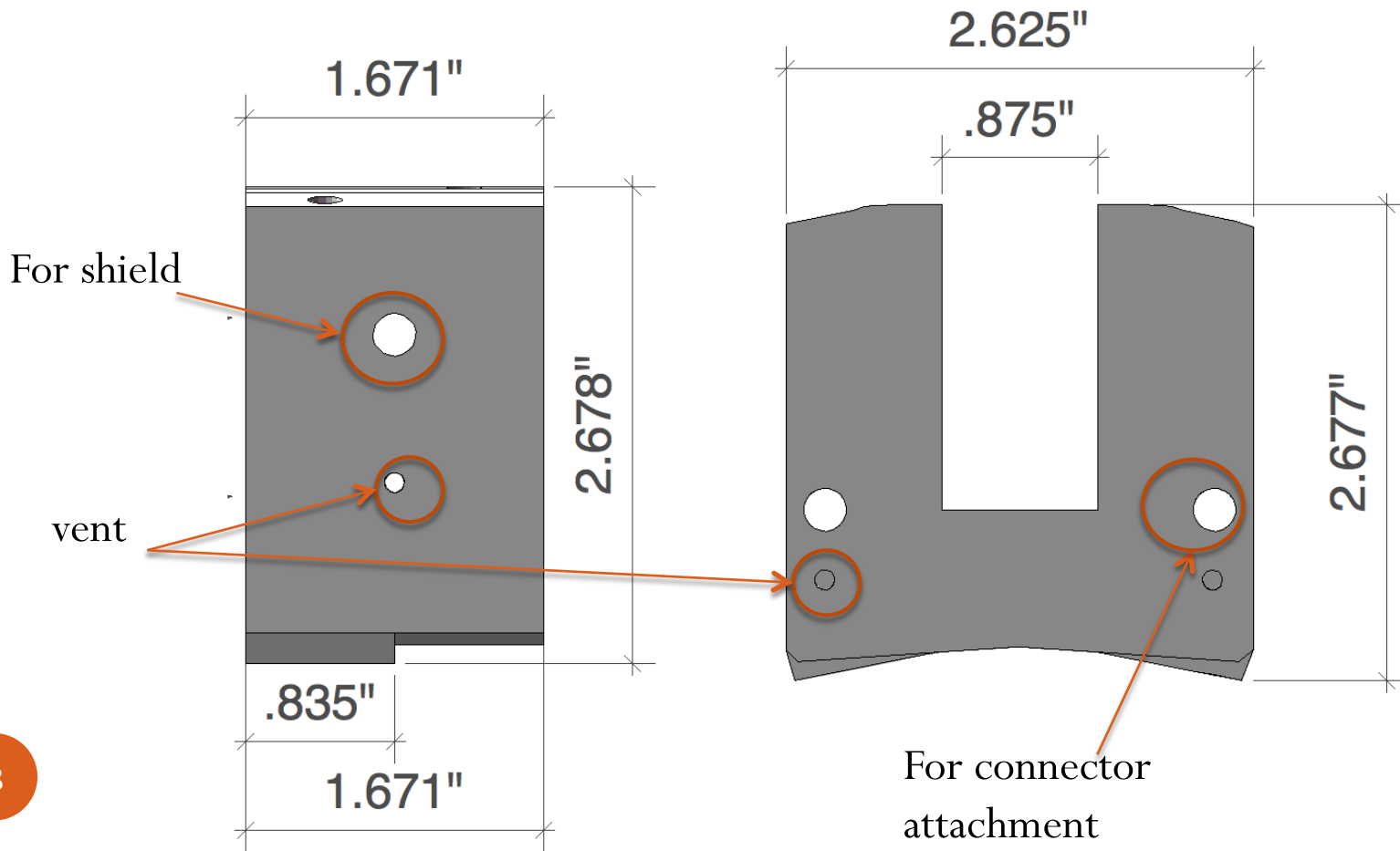
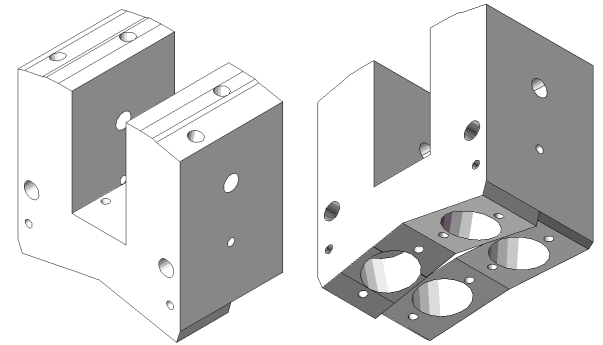
COMMENT 1
ISSUE: POSSIBLE
HARDWARE
COMPLICATIONS AT
MAST, FOR EXAMPLE
NEEDING TO REPLACE A
MACHINE SCREW
IDEA: CHANGE ALL
MEASUREMENTS AND
HARDWARE TO METRIC



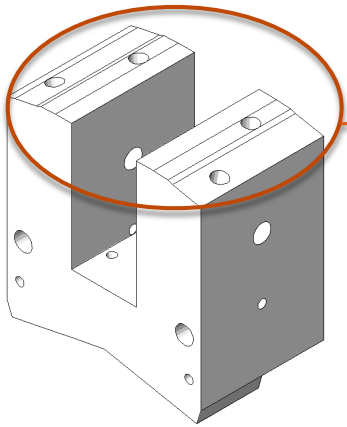
Module Exploded View with Bases



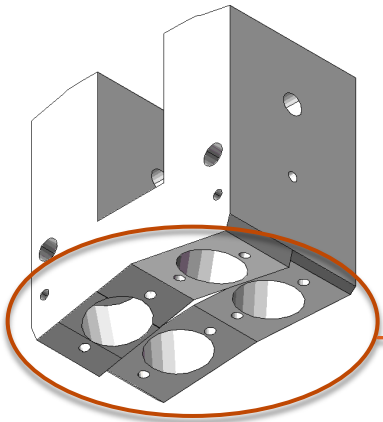
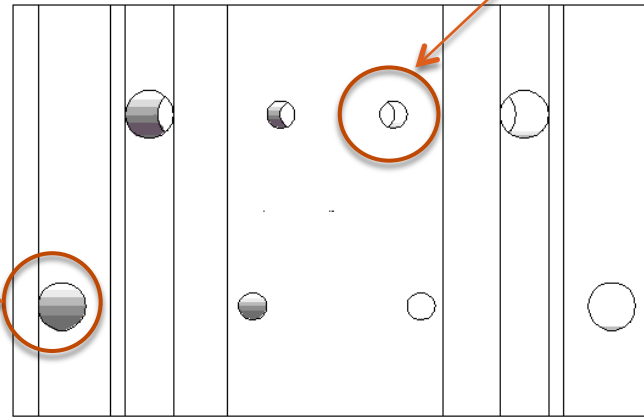
Module Dimensions



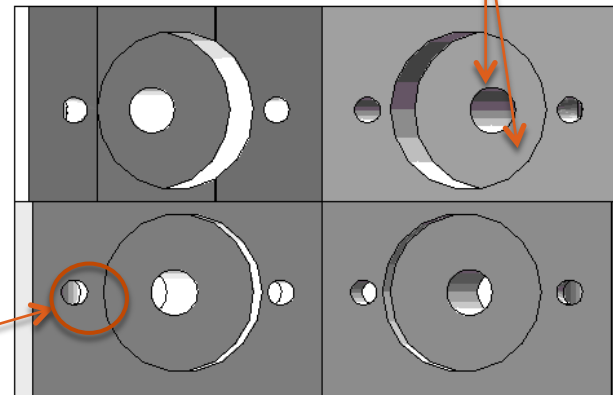
Module



collimator
hole

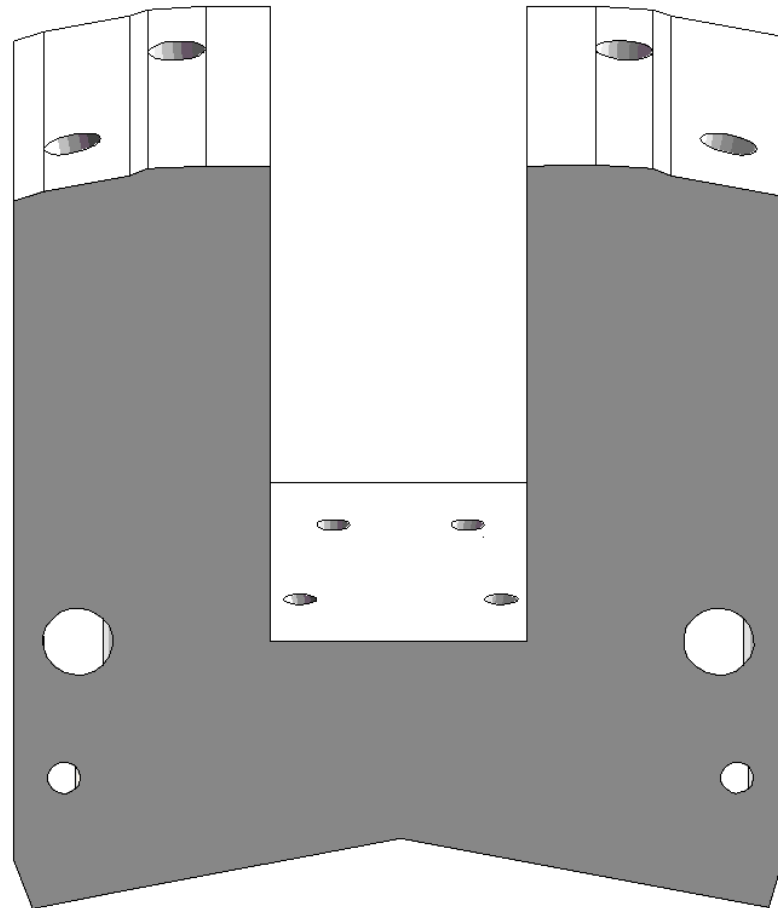
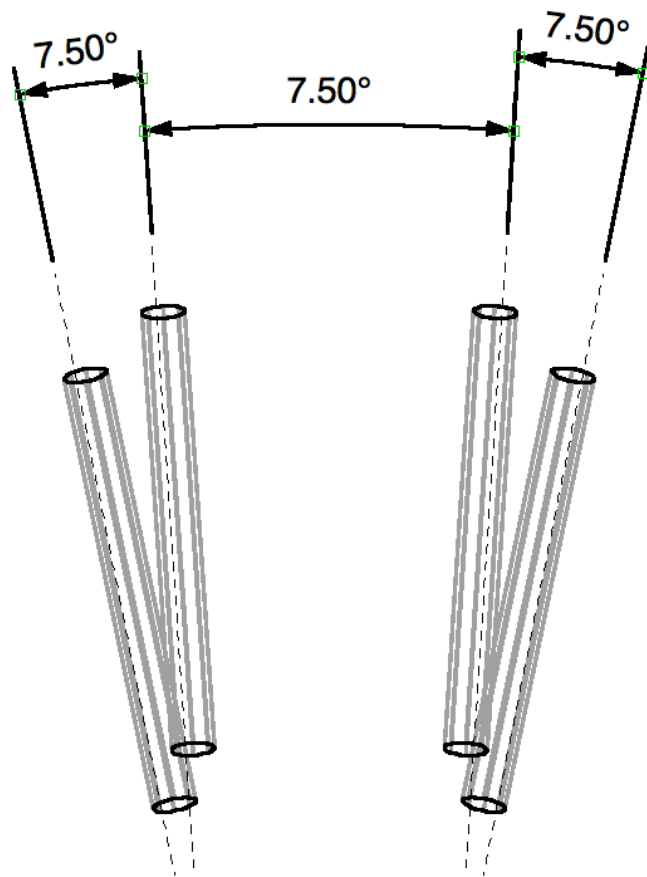


detector and
collimator hole



secure base
to hold
detectors

Module Angles



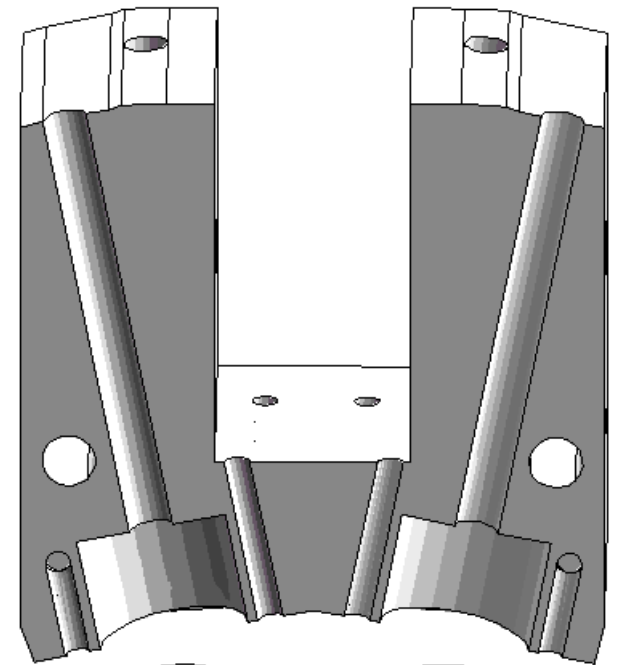
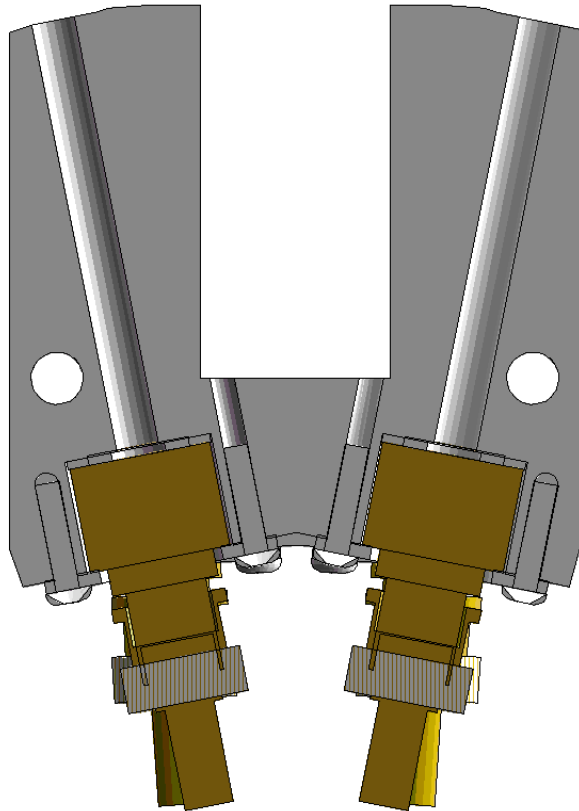
Module Cross Section

COMMENT 8

ISSUE: DETECTOR INSULATION

IDEA: USE UHV (ULTRA HIGH VACUUM) APPROVED INSULATOR SUCH AS PEEK, VESPEL, MAYCOR, BN CERAMIC, OR TEFLON TO CREATE A THIN SLEEVE AROUND INDIVIDUAL DETECTORS; CONTACT MAST COLLEAGUES FOR MATERIAL APPROVAL

USE PEEK 100 TO INSULATE COMPONENTS NOT EXPOSED TO PLASMA;
DETECTOR INSULATION ENCOURAGED



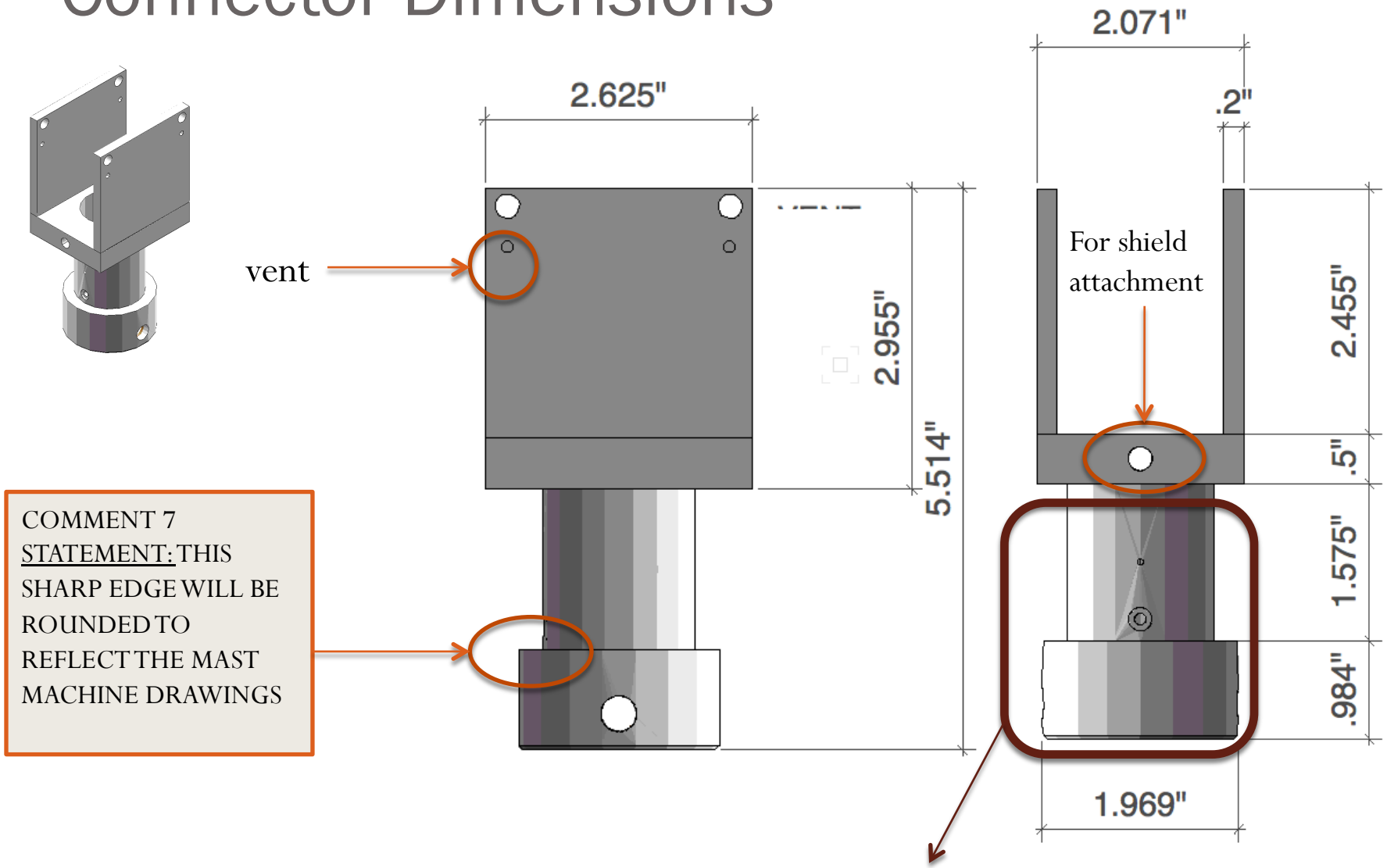
Foil

Detector

Base

BNC connector

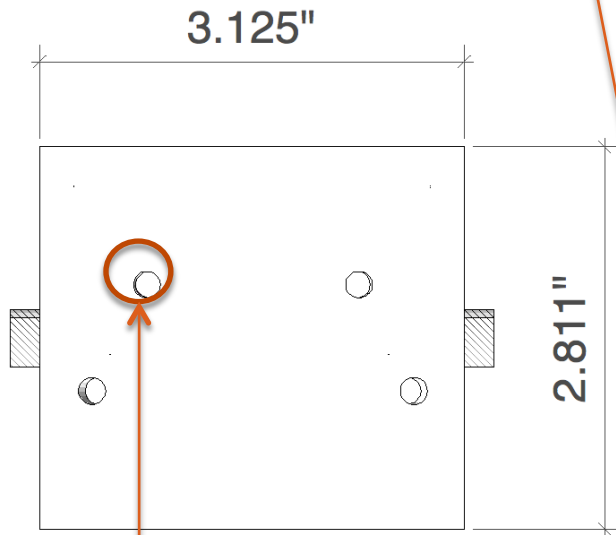
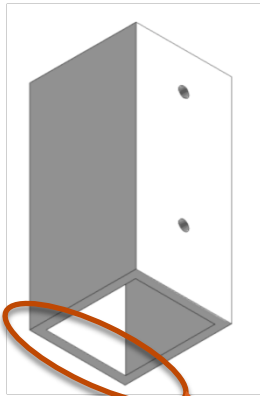
Connector Dimensions



COMMENT 7
STATEMENT: THIS
SHARP EDGE WILL BE
ROUNDED TO
REFLECT THE MAST
MACHINE DRAWINGS

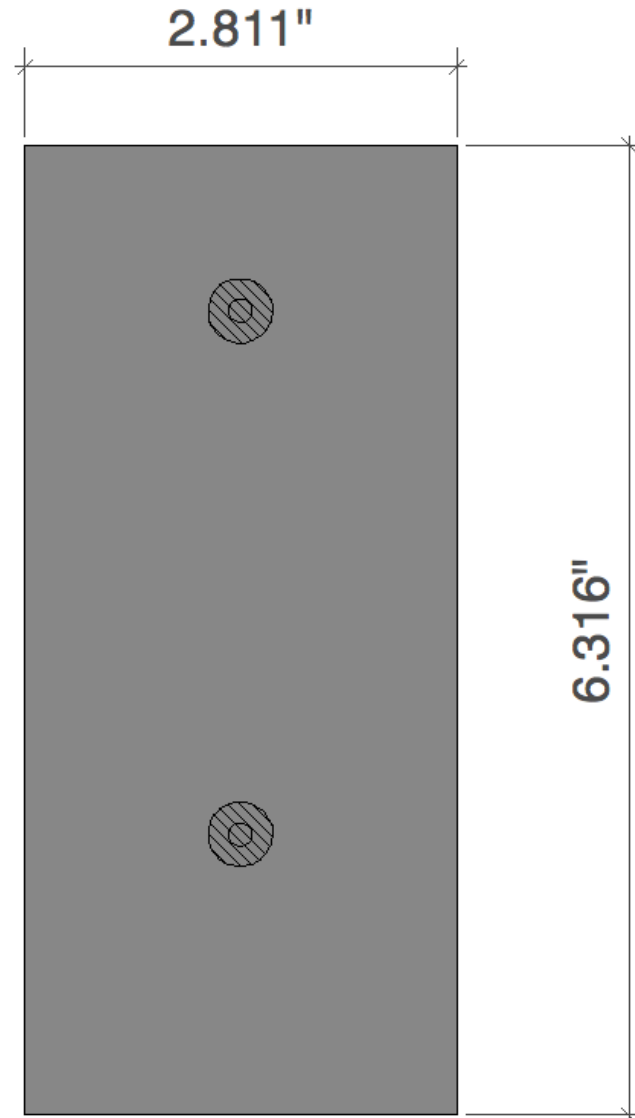
This part is replicated from MAST machine drawings to provide for attachment to reciprocating probe

Shield Dimensions

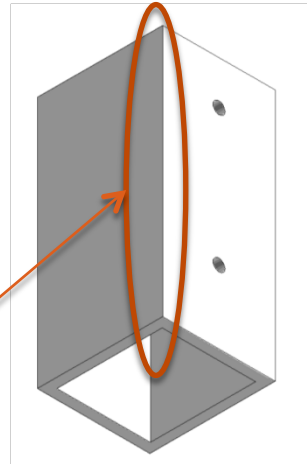


Collimator diameter: .197"

Wall thickness: .25"



Shield



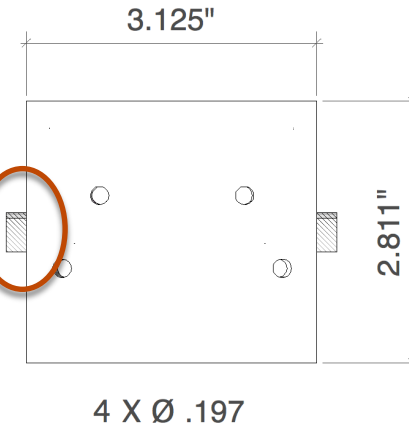
COMMENT 5

ISSUE: SHARP EDGES ON SHIELD
IDEA: ROUND ALL EDGES ON SHIELD
(INCREASE SHIELD THICKNESS SO
EDGES ARE STILL .25" IN THICKNESS)

COMMENT 6

ISSUE: IS ROUNDED RECTANGULAR SHAPE OKAY
FOR SHIELD, OR DOES MAST PREFER
CYLINDRICAL?
IDEA: CONTACT MAST COLLEAGUES

EITHER SHAPE IS FINE; CYLINDRICAL
CHEAPER TO MANUFACTURE



COMMENT 4

ISSUE: SCREWS NOT FLUSH WITH SURFACE
IDEA: COUNTERSINK SCREWS FOR SHIELD

COMMENT 3

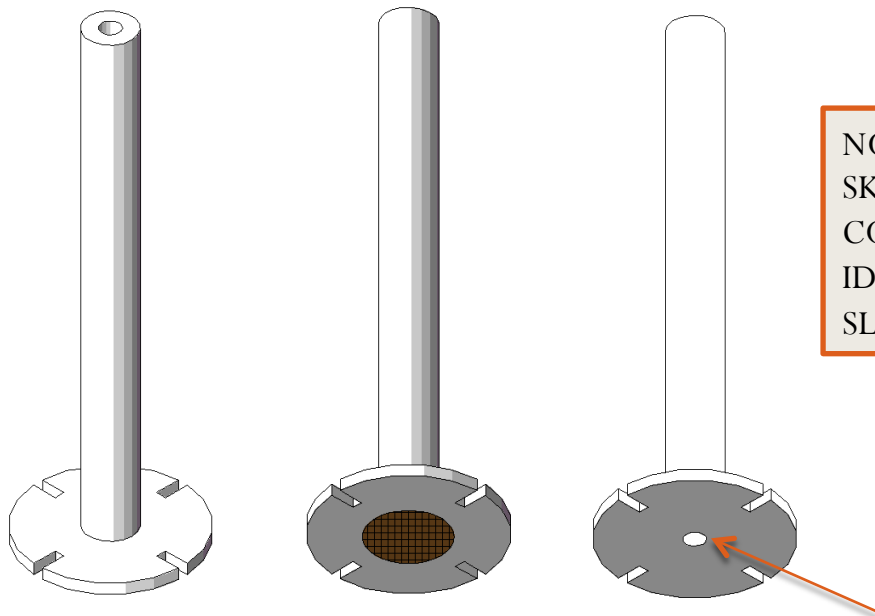
ISSUE: SECURE SCREWS TO BN SHIELD
IDEA: SPOTWELD SHIMSTOCK STRAP FROM
SCREW HEAD TO CONNECTOR OR USE
APPROVED UHV CERAMIC ADHESIVE

Alternate Washer to Change Collimator Size

COMMENT 10

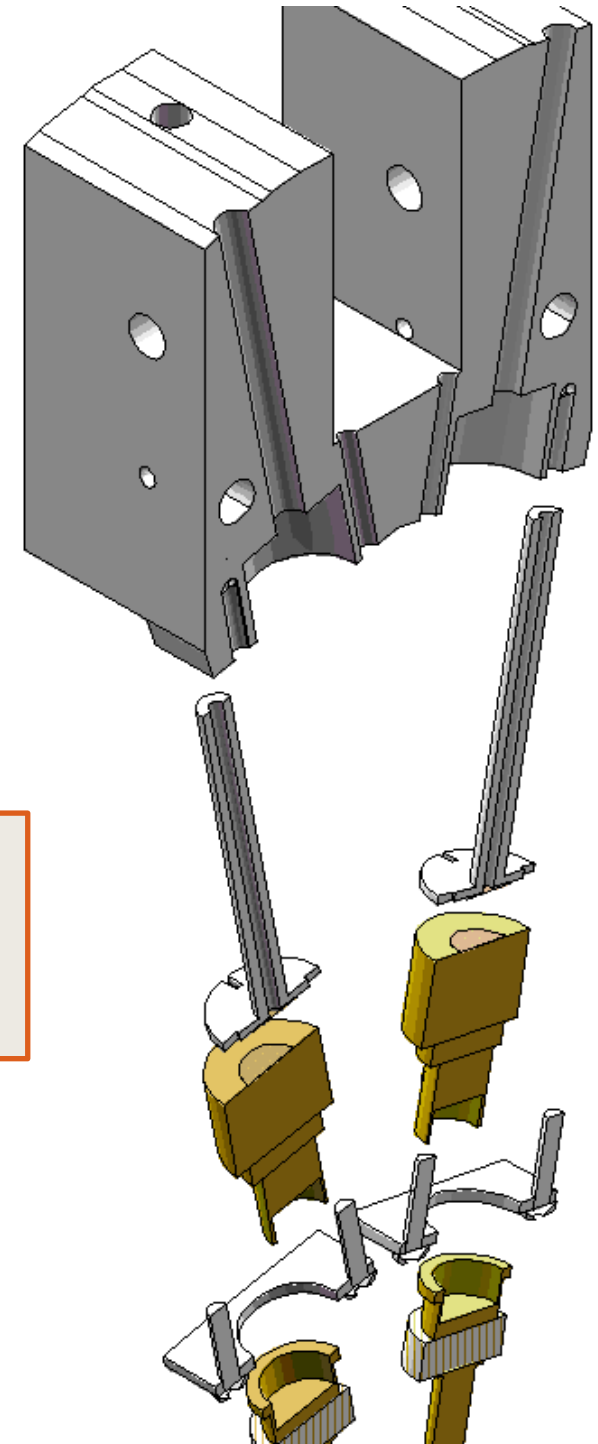
ISSUE: NEED ANOTHER WAY TO CHANGE COLLIMATOR SIZE, PREFERABLY ONLY REQUIRING THE REMOVAL OF THE BN SHIELD (UNLIKE METHOD SHOWN HERE)

IDEA: INSERT NEW COLLIMATOR CYLINDER THROUGH TOP OF MODULE AND PROVIDE FOR ATTACHMENT



NOTE THAT SKETCH FOR COMMENT 10 IDEA IS ON SLIDE 16

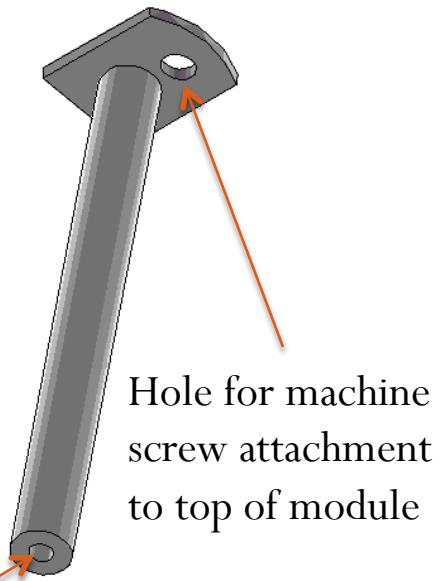
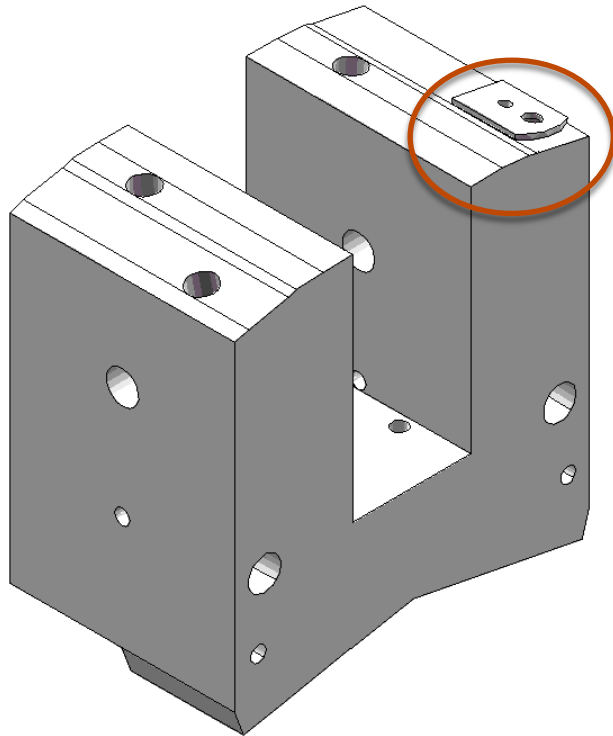
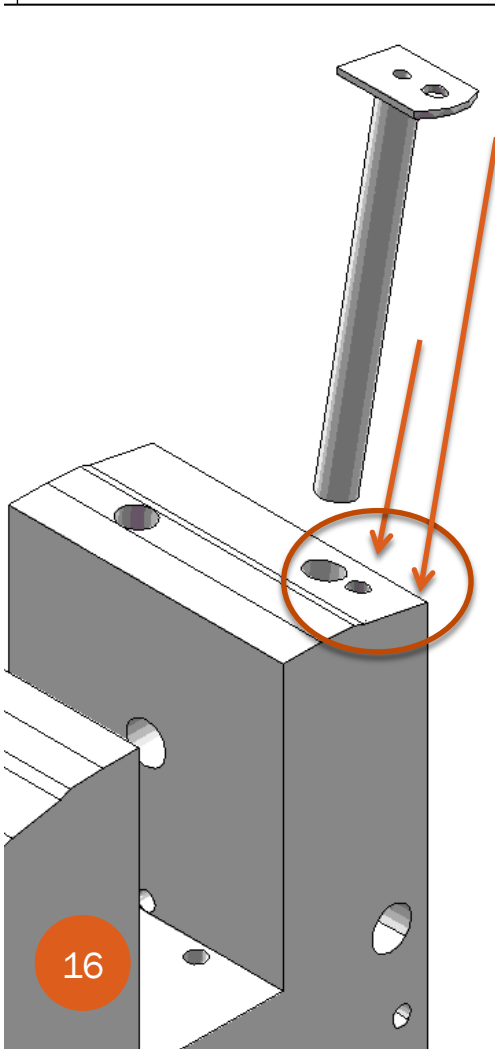
New collimator size



Alternate Washer to Change Collimator Size

SKETCH OF IDEA FOR
COMMENT 10

CONSIDER PLACING
SMALL LIP AT
BOTTOM OF SHAFT
FOR A MORE SECURE
FIT



New collimator size