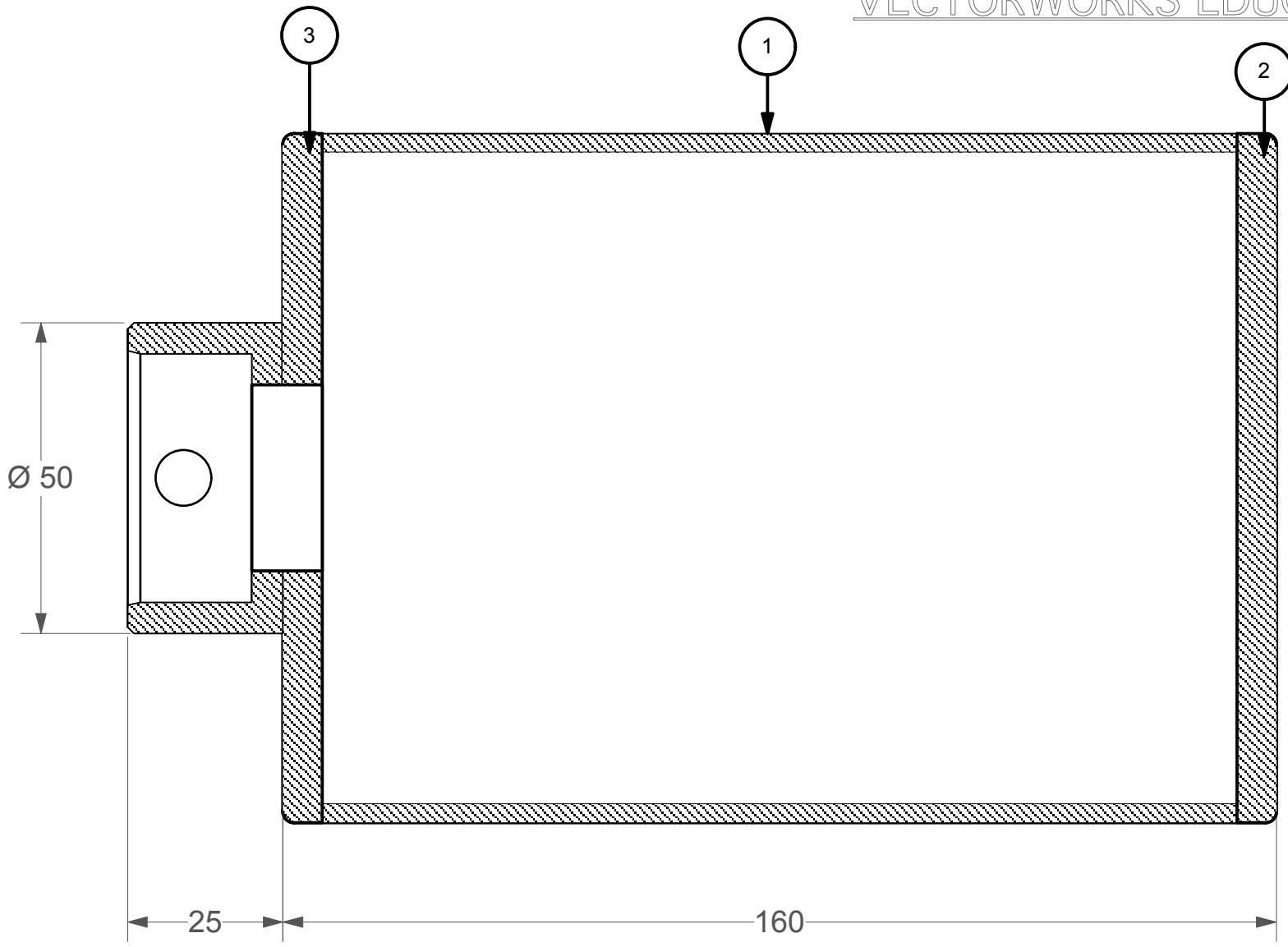


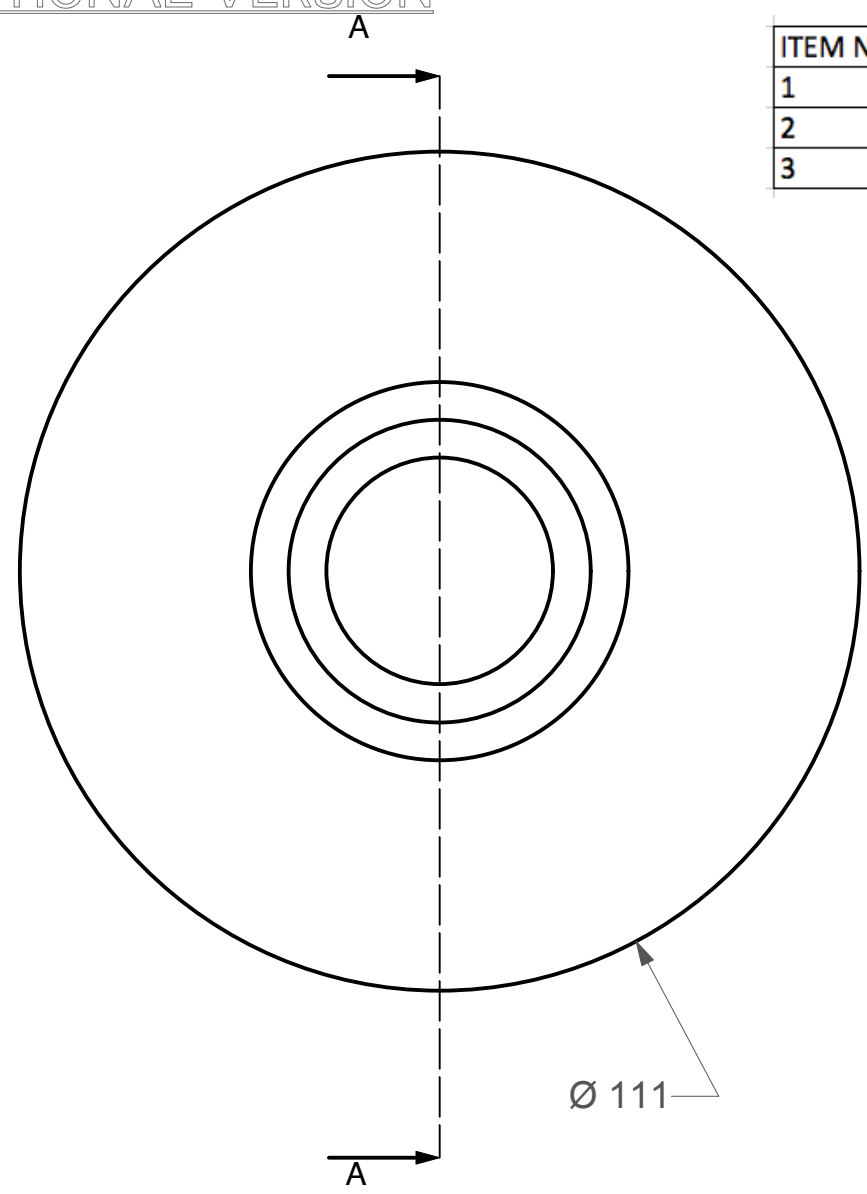
1

2

3

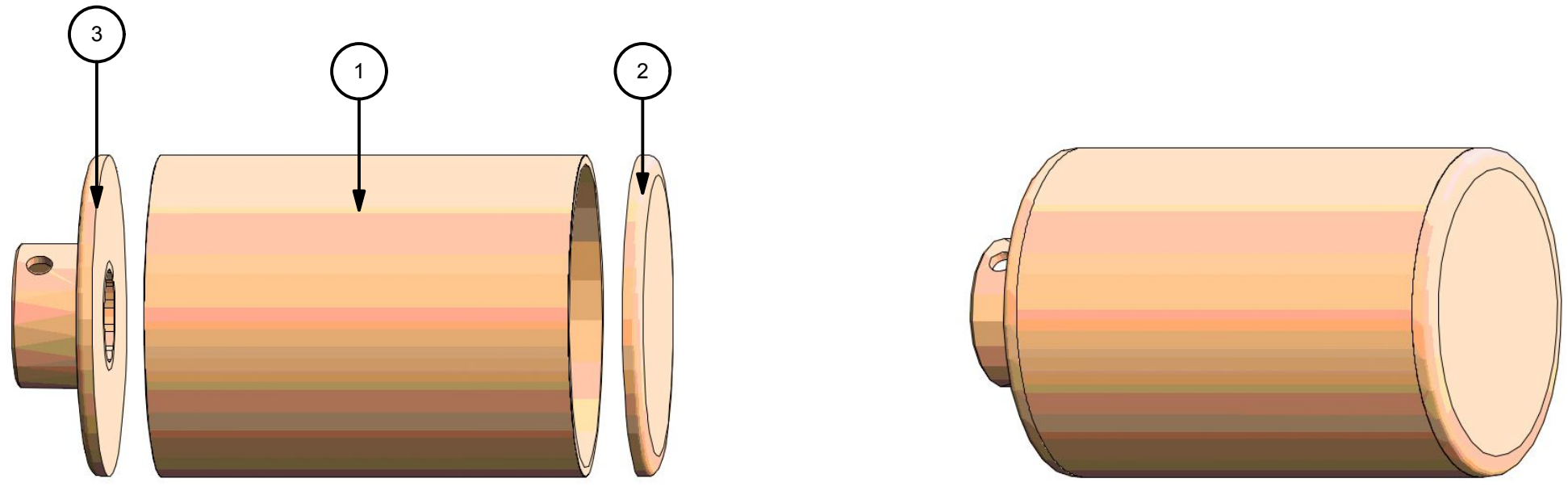


SECTION A - A



SECTION A - A

ITEM NO.	DRAWING NO.	DESCRIPTION	QUANTITY
1	CFPD 14	MIDDLE	1
2	CFPD 15	TOP	1
3	CFPD 16	BOTTOM	1



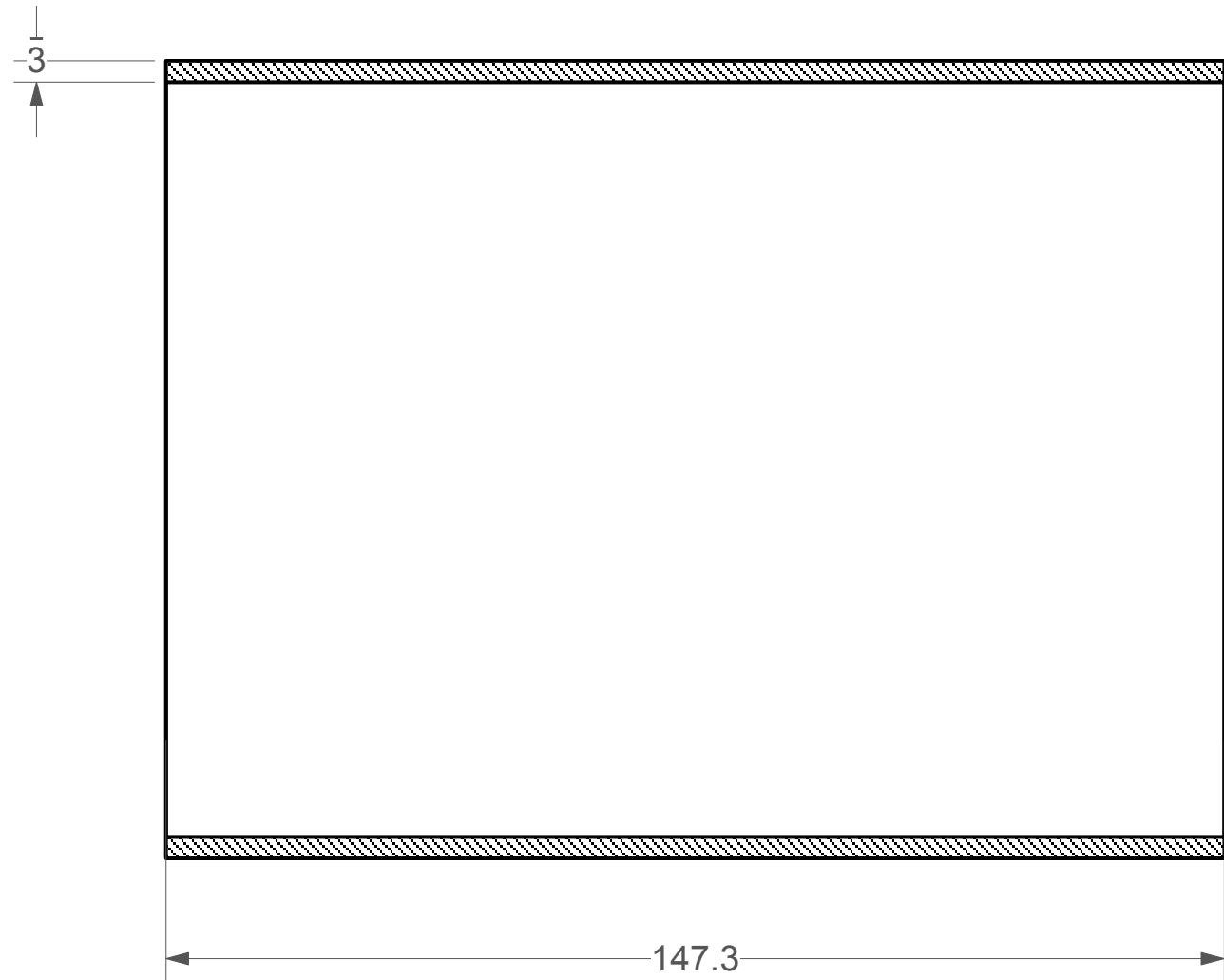
SECTION A - A

DRAWN BY RAMONA V. PEREZ		FIU FLORIDA INTERNATIONAL UNIVERSITY		
DESIGNED BY RAMONA V. PEREZ				
CHECKED BY		PROJECT MAST DIAGNOSTIC PROTOTYPE		
APPROVED BY		TITLE ASSEMBLED PROTOTYPE		
REMOVE ALL BURRS AND SHARP EDGES	DIMENSIONS IN MILLIMETERS UNLESS STATED	DRAWING NO. CFPD13	SCALE 1:1	DATE 01/13/2013
MATERIAL ALUMINUM	SHEET 01 OF 01 SHEETS	WEIGHT 0.76kg	CURRENT ISSUE B	

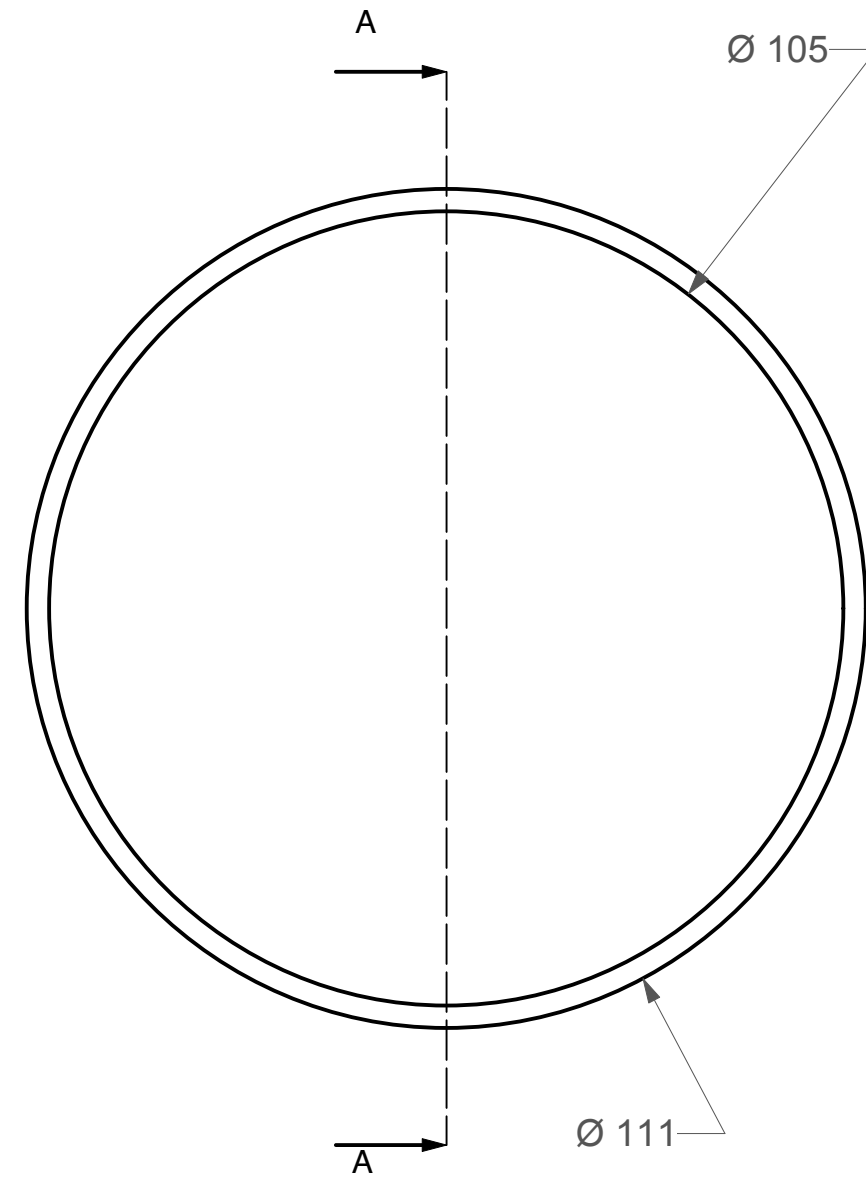
1

2

3



SECTION A - A



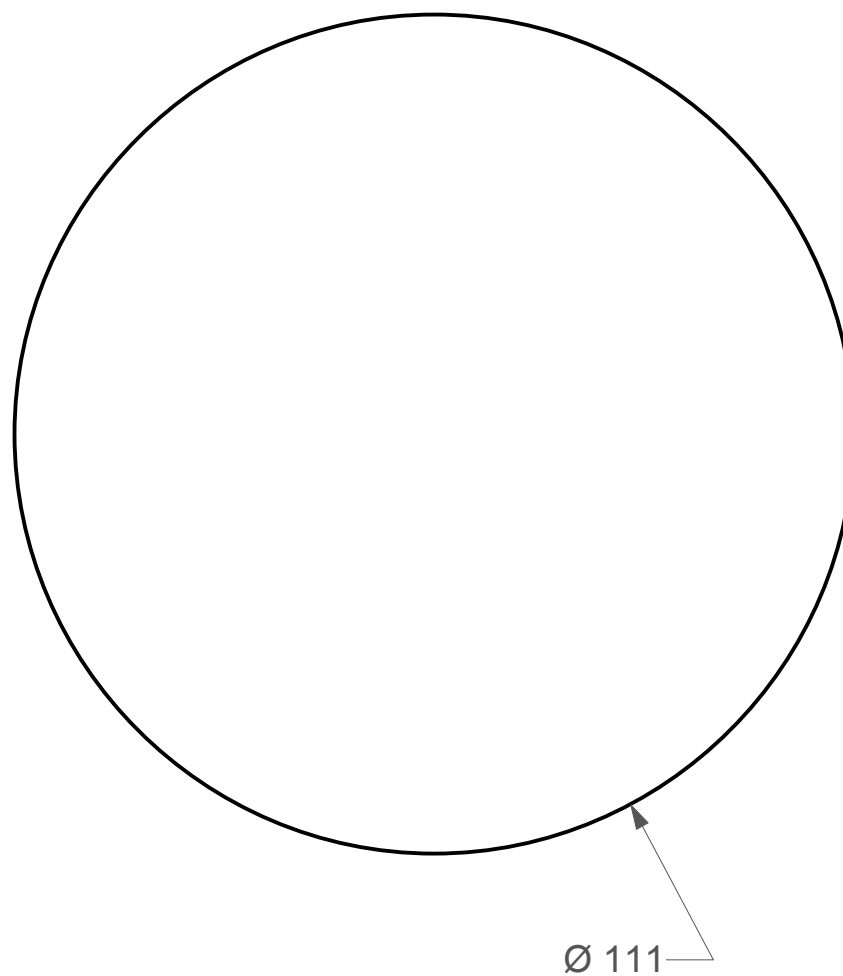
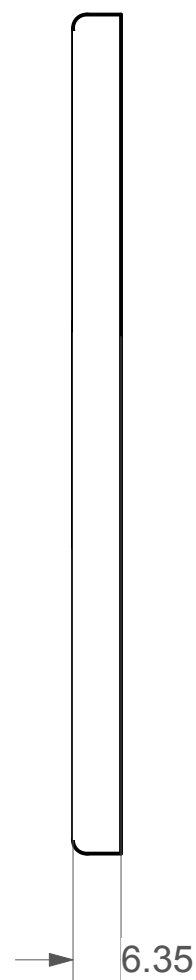
General Notes

- 1. WELD TO TOP PIECE AND BOTTOM PIECE.
- 2. TOLERANCE LINEAR DIMS +/- 0.25mm
 TOLERANCE ANGULAR DIMS +/- 1 Degree

DRAWN BY RAMONA V. PEREZ		FIU FLORIDA INTERNATIONAL UNIVERSITY		
DESIGNED BY RAMONA V. PEREZ				
CHECKED BY		PROJECT MAST DIAGNOSTIC PROTOTYPE		
APPROVED BY		TITLE MIDDLE PIECE		
REMOVE ALL BURRS AND SHARP EDGES	DIMENSIONS IN MILLIMETERS UNLESS STATED	DRAWING NO. CFPD14	SCALE 1:1	DATE 01/13/2013
MATERIAL ALUMINUM		SHEET 01 OF 01 SHEETS	WEIGHT 0.4kg	CURRENT ISSUE B

A

A

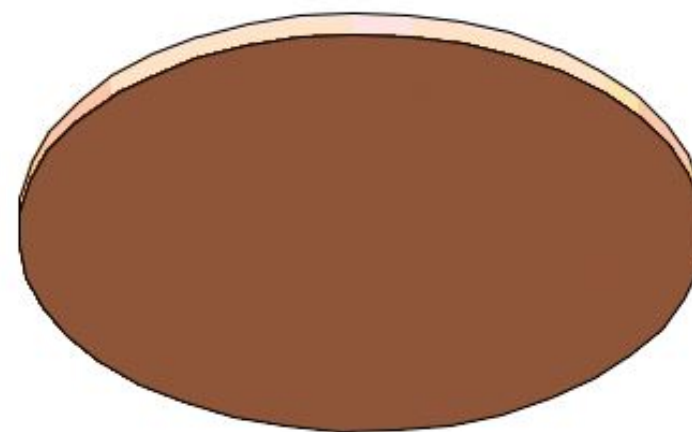
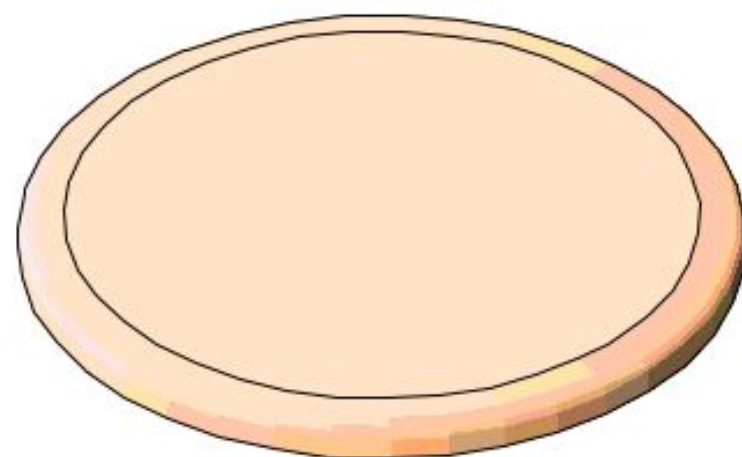


General Notes

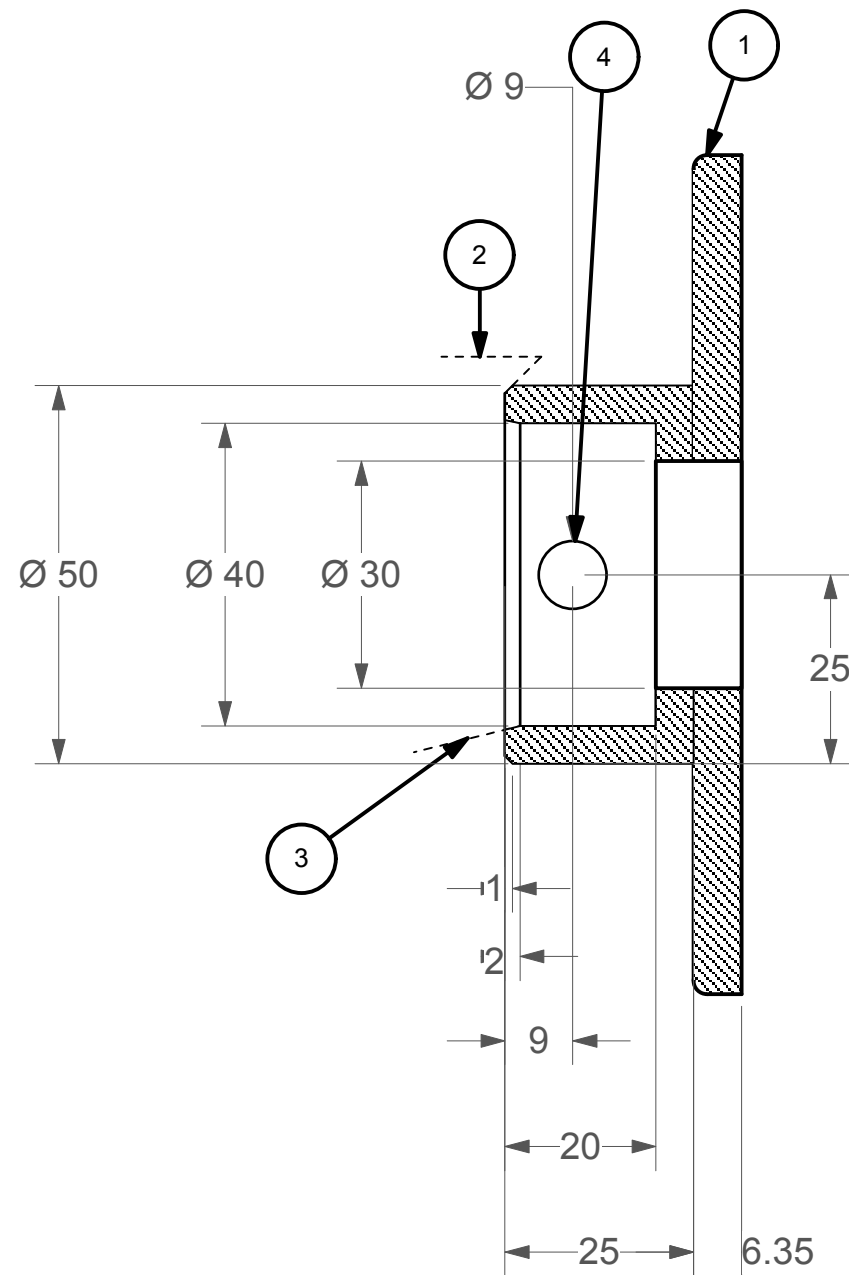
- 1. WELD TO ONE END OF MIDDLE PIECE.
- 2. ROUND EDGES
- 3. TOLERANCE LINEAR DIMS +/- 0.25mm
 TOLERANCE ANGULAR DIMS +/- 1 Degree
- 4. NEEDS VENTING HOLE.

B

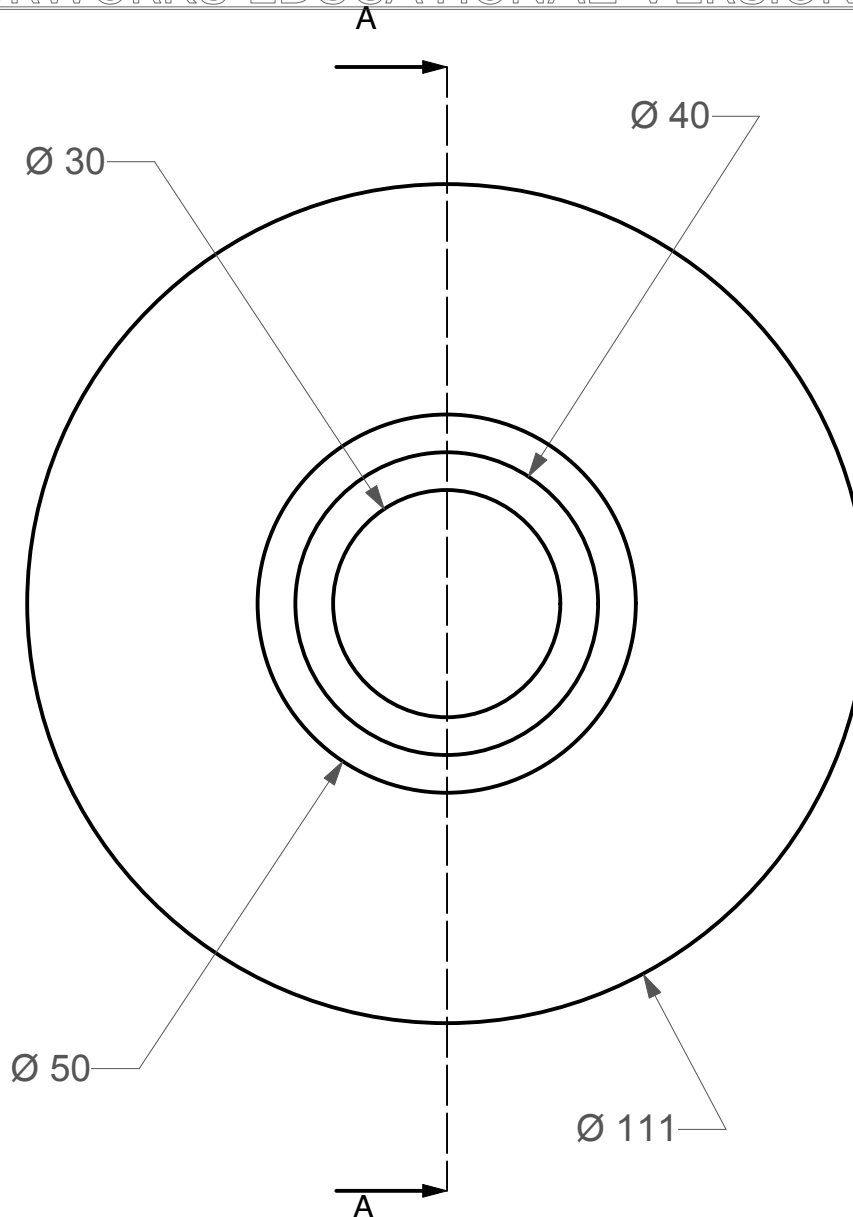
B



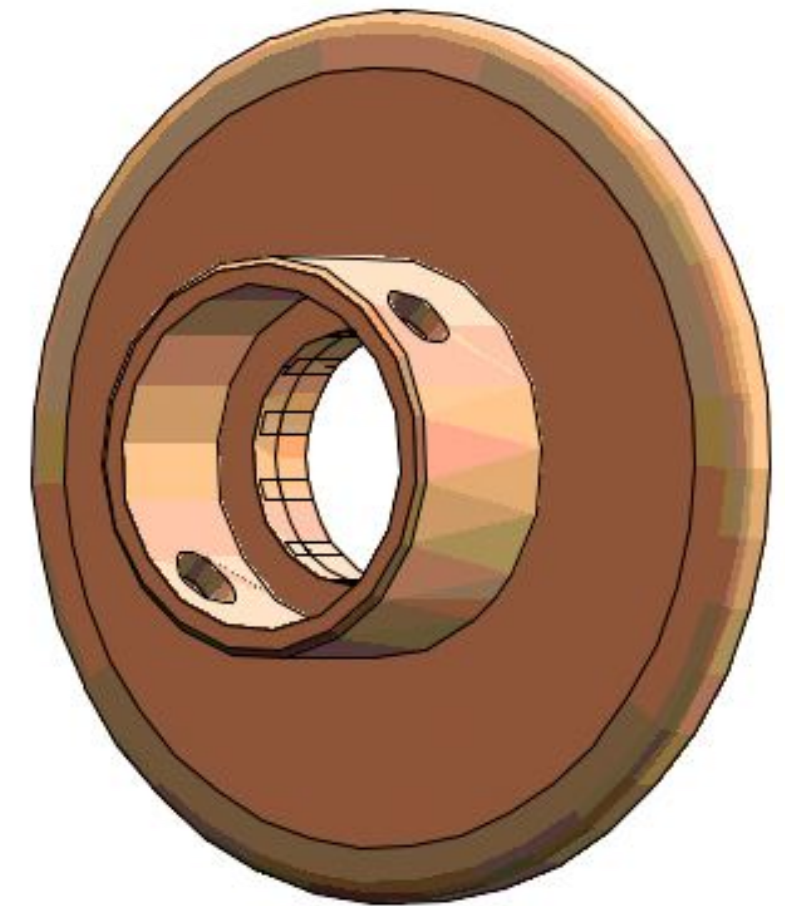
DRAWN BY RAMONA V. PEREZ		FIU FLORIDA INTERNATIONAL UNIVERSITY		
DESIGNED BY RAMONA V. PEREZ				
CHECKED BY		PROJECT MAST DIAGNOSTIC PROTOTYPE		
APPROVED BY		TITLE TOP PIECE		
REMOVE ALL BURRS AND SHARP EDGES	DIMENSIONS IN MILLIMETERS UNLESS STATED	DRAWING NO. CFPD15	SCALE 1:1	DATE 01/13/2013
MATERIAL ALUMINUM		SHEET 01	OF 01	SHEETS WEIGHT 0.16kg
		CURRENT ISSUE B		



SECTION A - A



SECTION A - A



General Notes

1. WELD TO ONE END OF MIDDLE PIECE.
2. ROUND EDGES
3. CUT AT 45 DEGREE ANGLE.
4. CUT AT 15 DEGREE ANGLE.
5. BORE THROUGH.
6. TOLERANCE LINEAR DIMS +/- 0.25mm
 TOLERANCE ANGULAR DIMS +/- 1 Degree

DRAWN BY RAMONA V. PEREZ		FIU FLORIDA INTERNATIONAL UNIVERSITY	
DESIGNED BY RAMONA V. PEREZ			
CHECKED BY		PROJECT MAST DIAGNOSTIC PROTOTYPE	
APPROVED BY		TITLE BOTTOM PIECE	
REMOVE ALL BURRS AND SHARP EDGES	DIMENSIONS IN MILLIMETERS UNLESS STATED	DRAWING NO. CFPD16	SCALE 1:1
MATERIAL ALUMINUM		SHEET 01 OF 01 SHEETS	DATE 01/13/2013
		WEIGHT 0.19kg	CURRENT ISSUE B