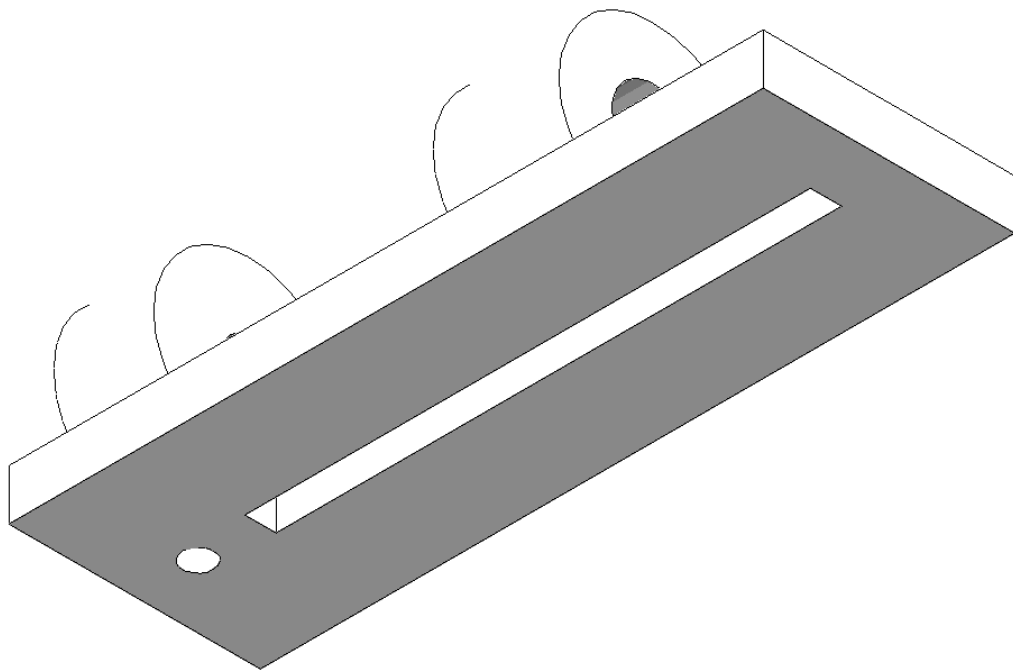
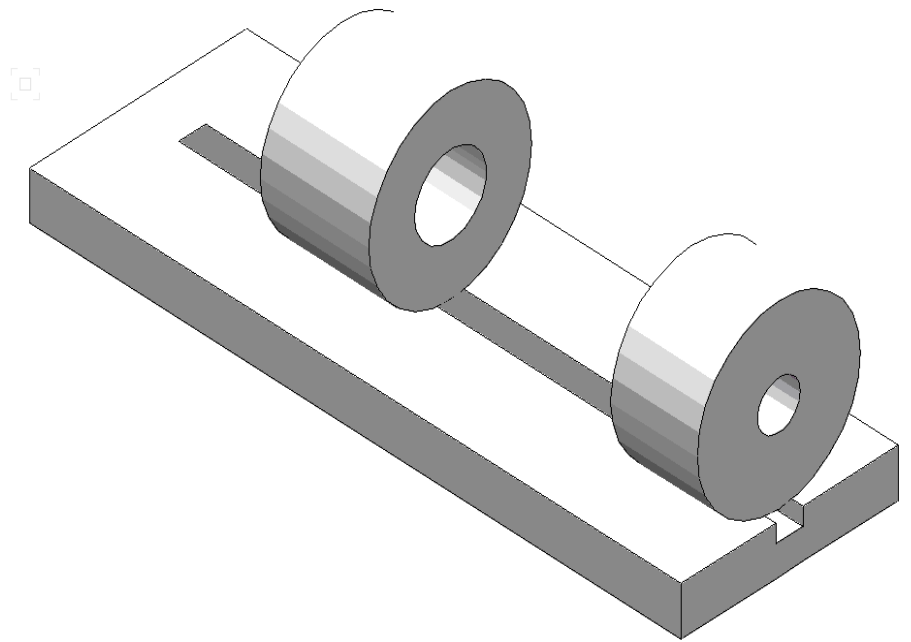
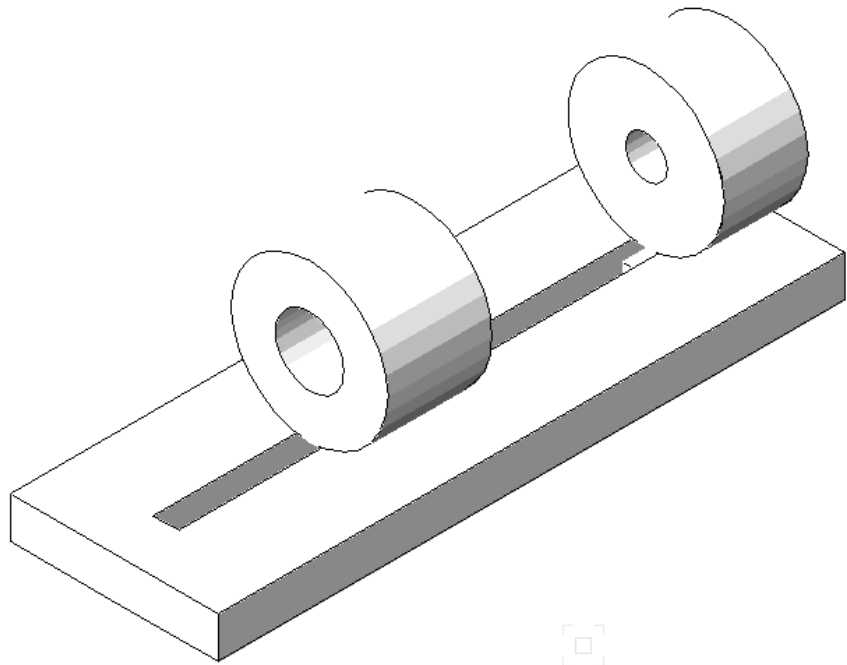


REV	DESCRIPTION	DATE	APPROVED



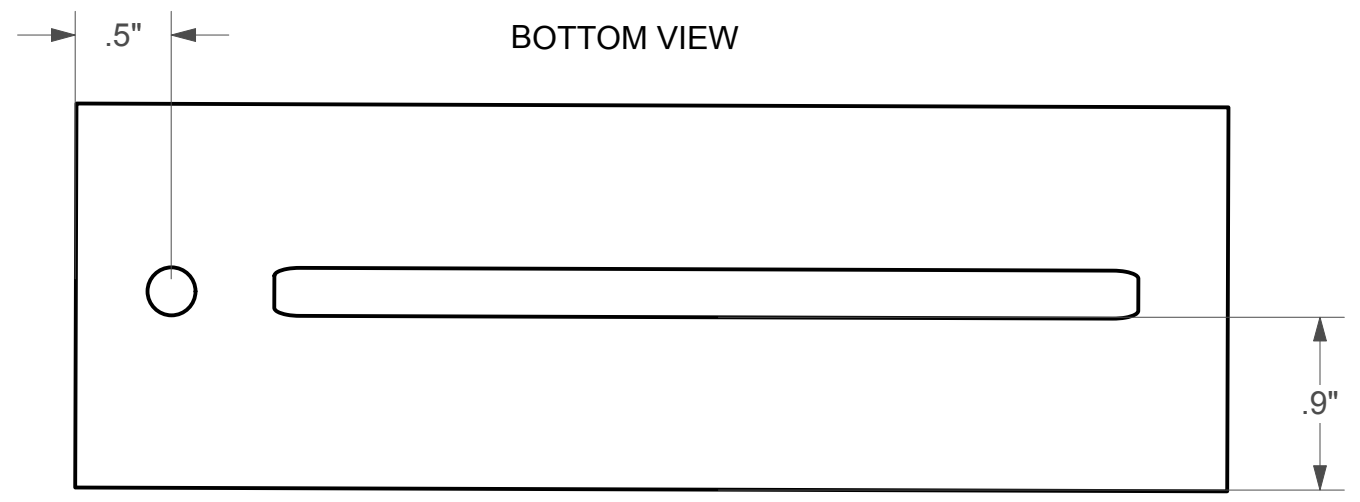
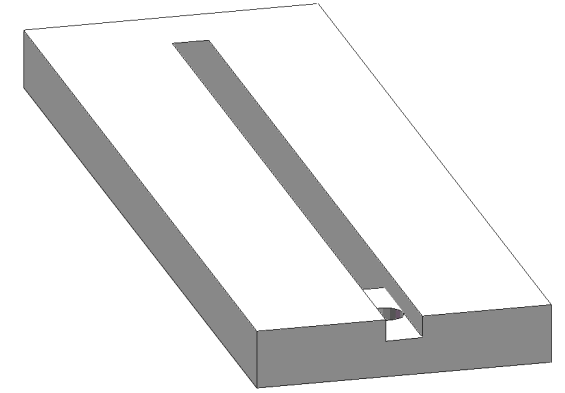
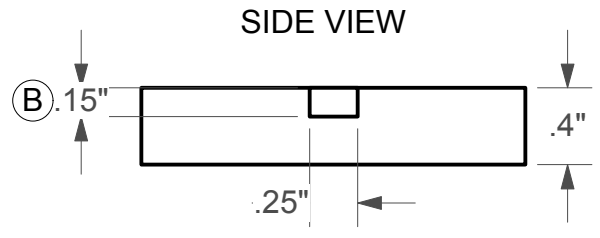
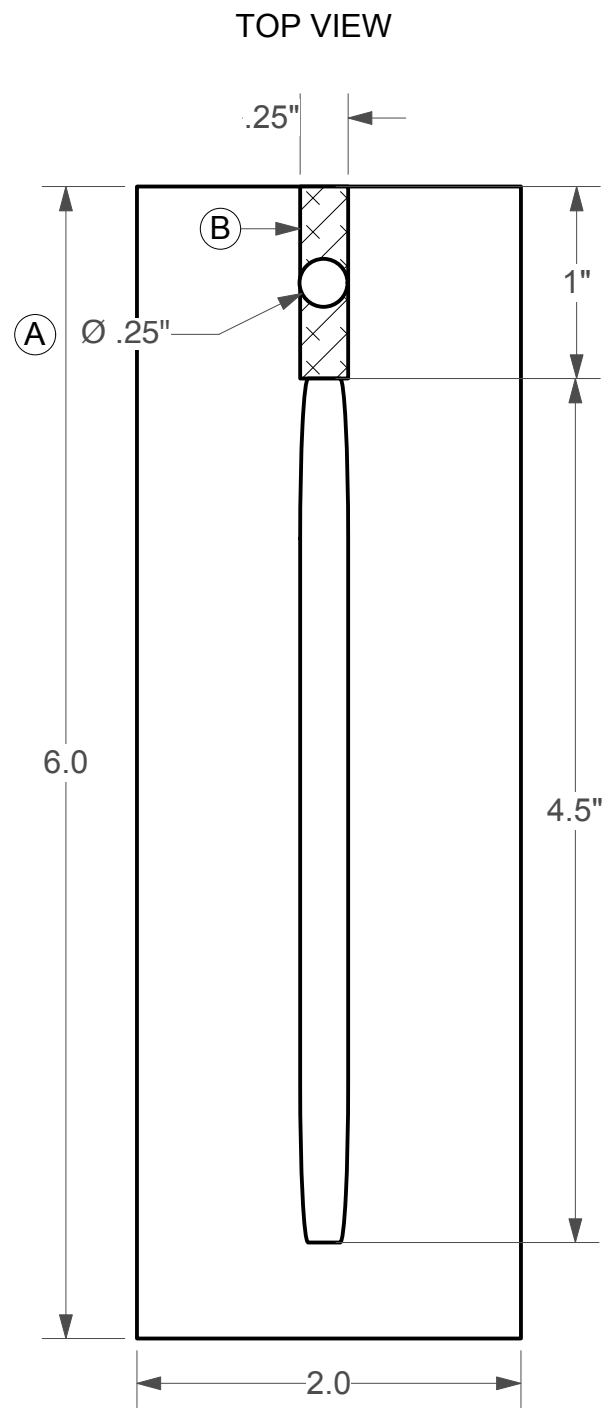
FIU FLORIDA INTERNATIONAL UNIVERSITY
 DEPARTMENT OF PHYSICS
 11200 SW 8TH ST, MIAMI, FL 33199

DATE 04/14/11	PROJECT HOUSING UNIT	SHEET 1 OF 1
---------------	----------------------	--------------

TITLE ASSEMBLED VIEW	DRAWN BY PIERRE AVILA
----------------------	-----------------------

NOTES:
 1. (A) TAP THROUGH FOR 12-24 SET SCREW
 2. (B) CUT DOWN TO SIZE SPECIFIED

REV	DESCRIPTION	DATE	APPROVED



ALL DIMENSIONS ARE IN INCHES.
 TOLERANCES UNLESS OTHERWISE SPECIFIED:

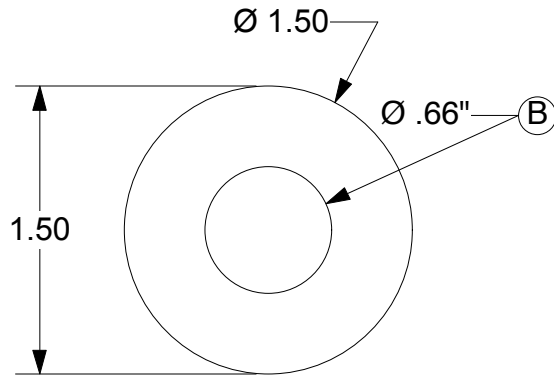
X.X +/- 0.1 \angle +/- .5°
 X.XX +/- 0.01

FIU	FLORIDA INTERNATIONAL UNIVERSITY DEPARTMENT OF PHYSICS 11200 SW 8TH ST, MIAMI, FL 33199		
	DATE 04/14/11	PROJECT HOUSING UNIT	SHEET 1 OF 1
SCALE 1:1	TITLE VARIABLE DISTANCE BASE		DRAWN BY PIERRE AVILA

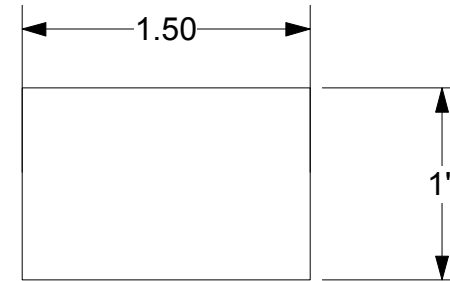
NOTES:
 1. (A) TAP THROUGH FOR 12-24 SET SCREW
 2. (B) BORE THROUGH

REV	DESCRIPTION	DATE	APPROVED

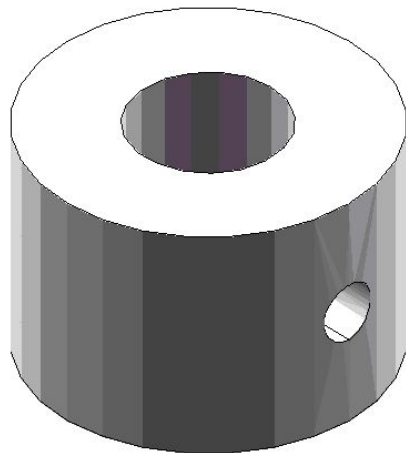
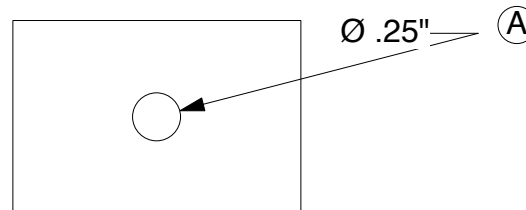
SIDE VIEW



TOP VIEW



BOTTOM VIEW



ALL DIMENSIONS ARE IN INCHES.
 TOLERANCES UNLESS OTHERWISE SPECIFIED:

X.X +/- 0.1 \angle +/- .5°
 X.XX +/- 0.01

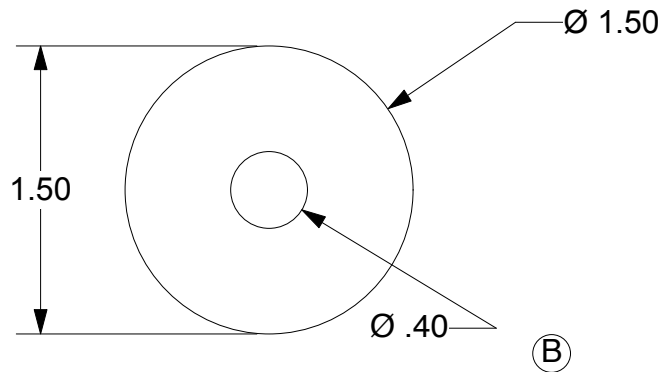
FIU FLORIDA INTERNATIONAL UNIVERSITY
 DEPARTMENT OF PHYSICS
 11200 SW 8TH ST, MIAMI, FL 33199

DATE 04/14/11	PROJECT	SHEET 1 OF 1
SCALE 1:1	HOUSING UNIT	
TITLE DETECTOR HOUSING		DRAWN BY PIERRE AVILA

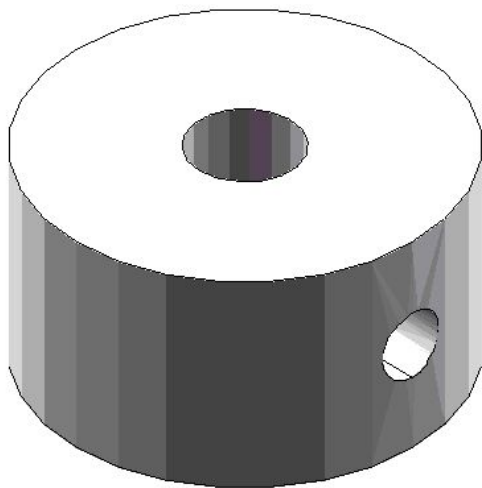
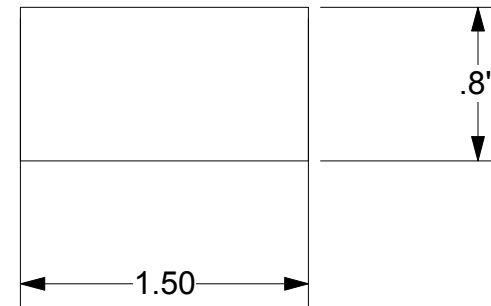
NOTES:
 1. (A) TAP THROUGH FOR 12-24 SET SCREW
 2. (B) BORE THROUGH

REV	DESCRIPTION	DATE	APPROVED

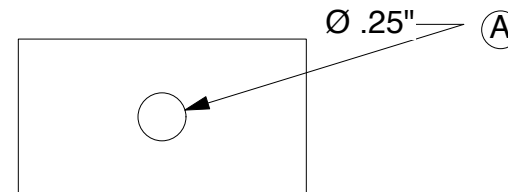
SIDE VIEW



TOP VIEW



BOTTOM VIEW



ALL DIMENSIONS ARE IN INCHES.
 TOLERANCES UNLESS OTHERWISE SPECIFIED:

X.X +/- 0.1 \angle +/- .5°
 X.XX +/- 0.01

FIU FLORIDA INTERNATIONAL UNIVERSITY
 DEPARTMENT OF PHYSICS
 11200 SW 8TH ST, MIAMI, FL 33199

DATE 04/14/11	PROJECT	SHEET 1 OF 1
SCALE 1:1	HOUSING UNIT	
TITLE		DRAWN BY
ALPHA SOURCE HOUSING		PIERRE AVILA